

DESCRIPTION

Thin trim IP54 recessed downlight with minimalistic design and versatile application

The Fuoco Series comprises of two classic shapes (Round · Square) with multiple mounting options that are suitable for both consumer and professional applications. With ultra-thin trim, deep recessed design and quality light output this downlight brings a modern, eye-pleasing and elegant look to the space. Precisely designed and engineered turning lock system makes this downlight interchangeable low glare reflector with three different beam angles to meet your project requirements.



QUICKINFO

GENERAL

Finish	Black (RAL 9016)
Material	Die-cast Aluminium
IP	54
Lifespan	L90/50,000h
Warranty	5 years

LED

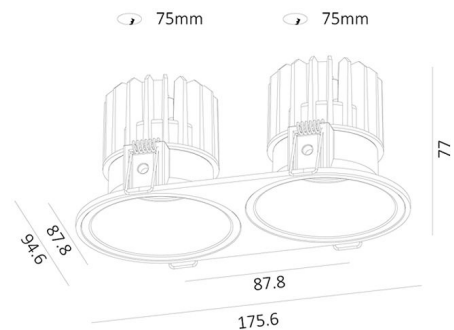
Optic	15° / 24° / 36° / 60° Reflector
Lumen	1029lm
Efficacy	Up to 100lm/W
CRI	3000K
CCT	>92
SDCM	<3
UGR	<19

ELECTRICAL

Voltage	220-240V
Power	10W
Driver (Flicker-Free)	Phase cut

ACCESSORIES

Glass diffuser or honeycomb louver



BEAM 15° / 24° / 36° / 60°	CRI=92	SDCM=3	IP54	IK10	IC-4	5 YEARS	
----------------------------	--------	--------	------	------	------	---------	--

DESCRIPTION

Thin trim IP54 recessed downlight with minimalistic design and versatile application

The Fuoco Series comprises of two classic shapes (Round · Square) with multiple mounting options that are suitable for both consumer and professional applications. With ultra-thin trim, deep recessed design and quality light output this downlight brings a modern, eye-pleasing and elegant look to the space. Precisely designed and engineered turning lock system makes this downlight interchangeable low glare reflector with three different beam angles to meet your project requirements.



QUICKINFO

GENERAL

Finish	White(RAL9005)
Material	Die-cast Aluminium
IP	54
Lifespan	L90/50,000h
Warranty	5 years

LED

Optic	15° / 24° / 36° / 60° Reflector
Lumen	1029lm
Efficacy	Up to 100lm/W
CRI	3000K
CCT	>92
SDCM	<3
UGR	<19

ELECTRICAL

Voltage	220-240V
Power	10W
Driver (Flicker-Free)	Phase cut

ACCESSORIES

Glass diffuser or honeycomb louver

