

- 1.This product contains a light source of energy efficiency class < C >
- 2.Light Model: Float 400

Model	Voltage	Current	PF	Wattage	Luminous Flux	W/Φ (mm)	H (mm)	ta(°C)
Float 400	220-240V~	0.145A/0.110A/0.085A	0.95	30W/22W/17W	3960lm/2904lm/2244lm	400	88	40

Suitable Version: With Or Without Color Temperature Selectable Function.

Color Temperature: Warm White:2700k-3200k Neutral White:3800k-4200k Cool White:6000k-6600k;



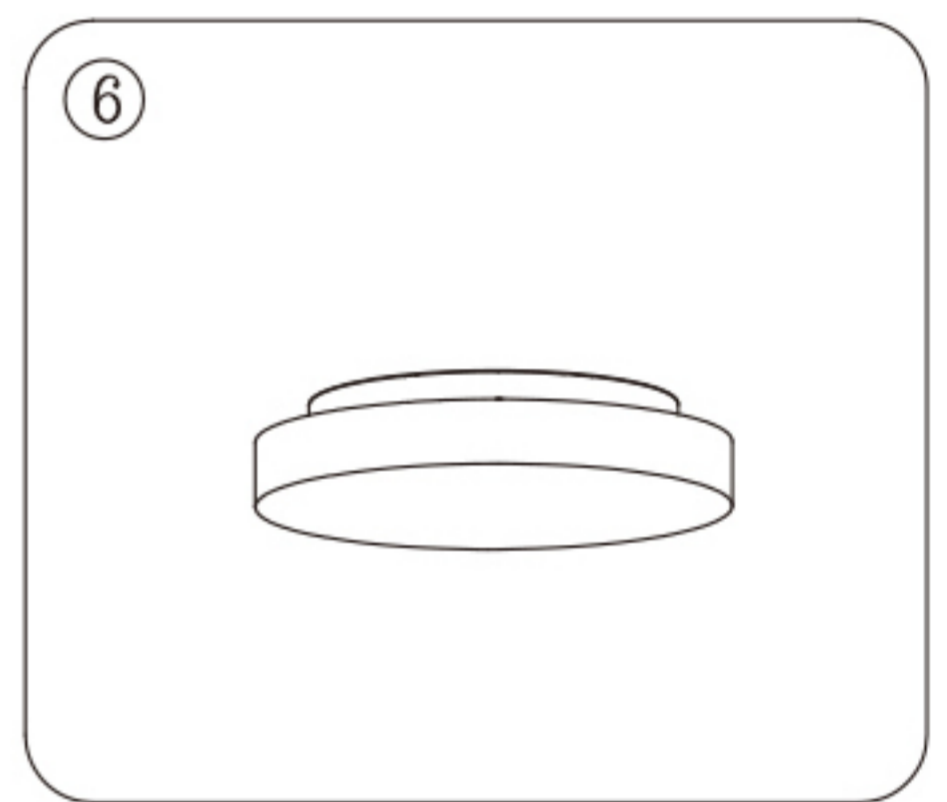
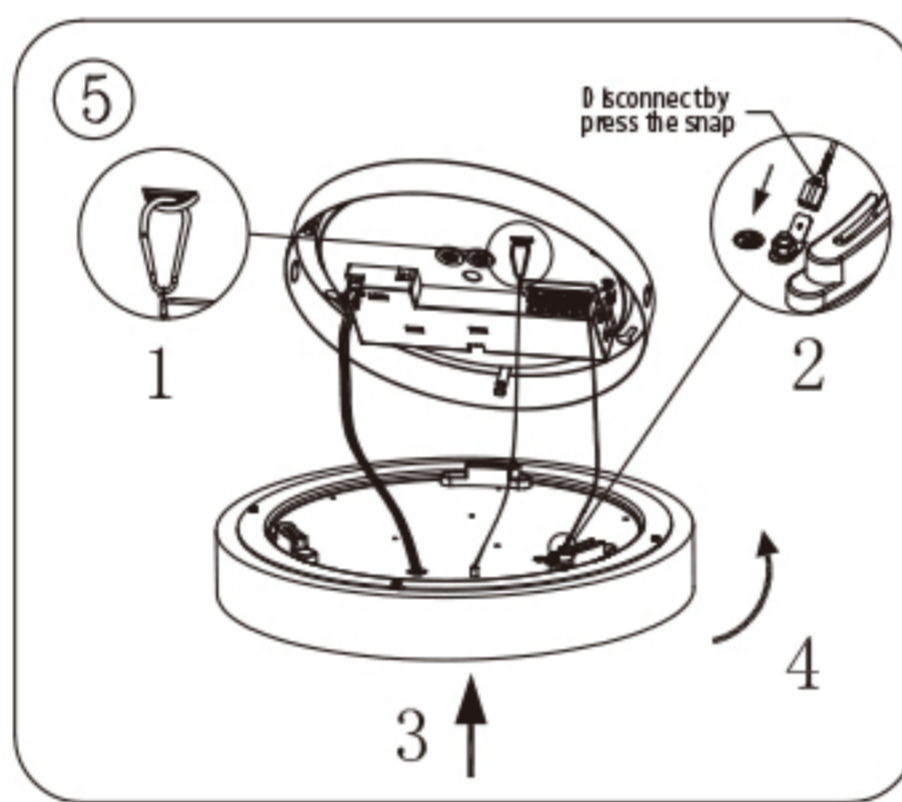
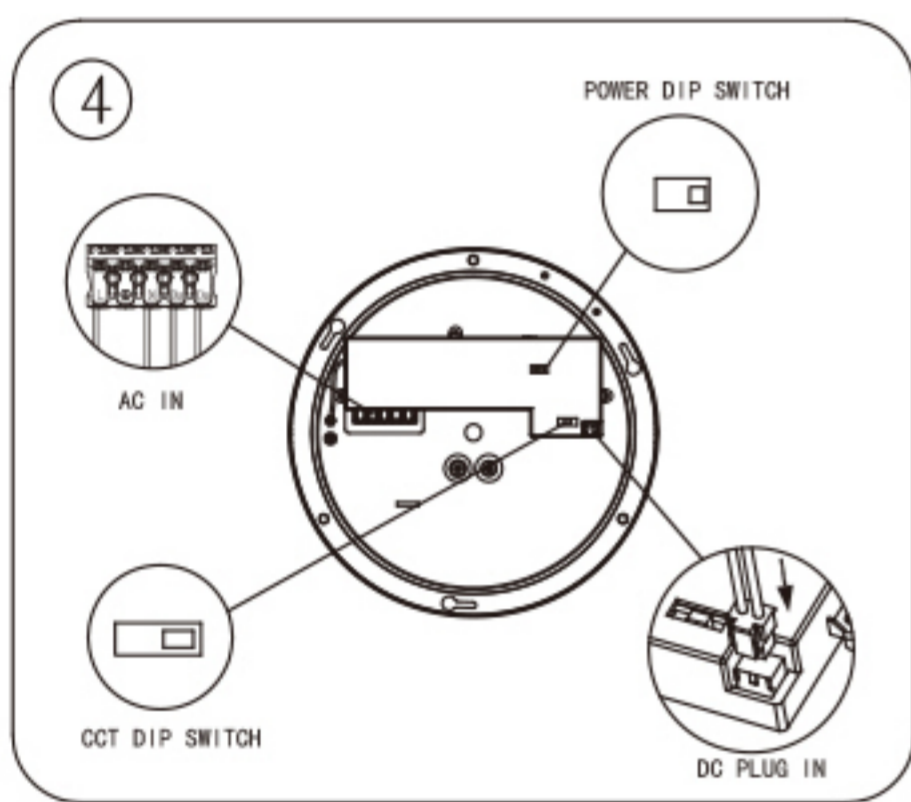
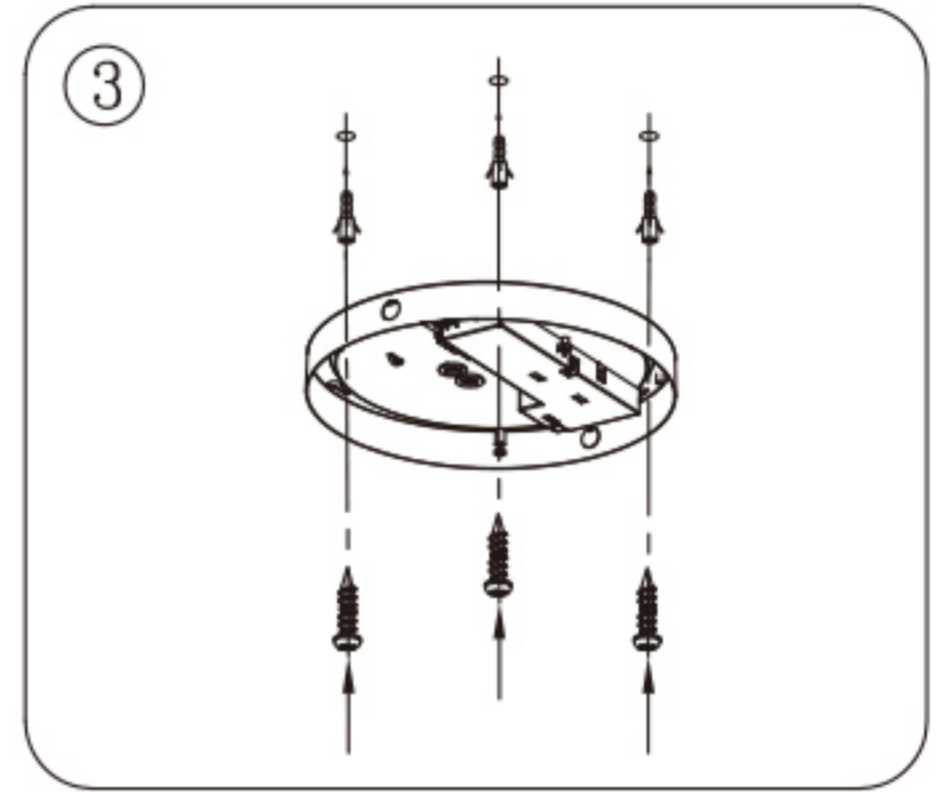
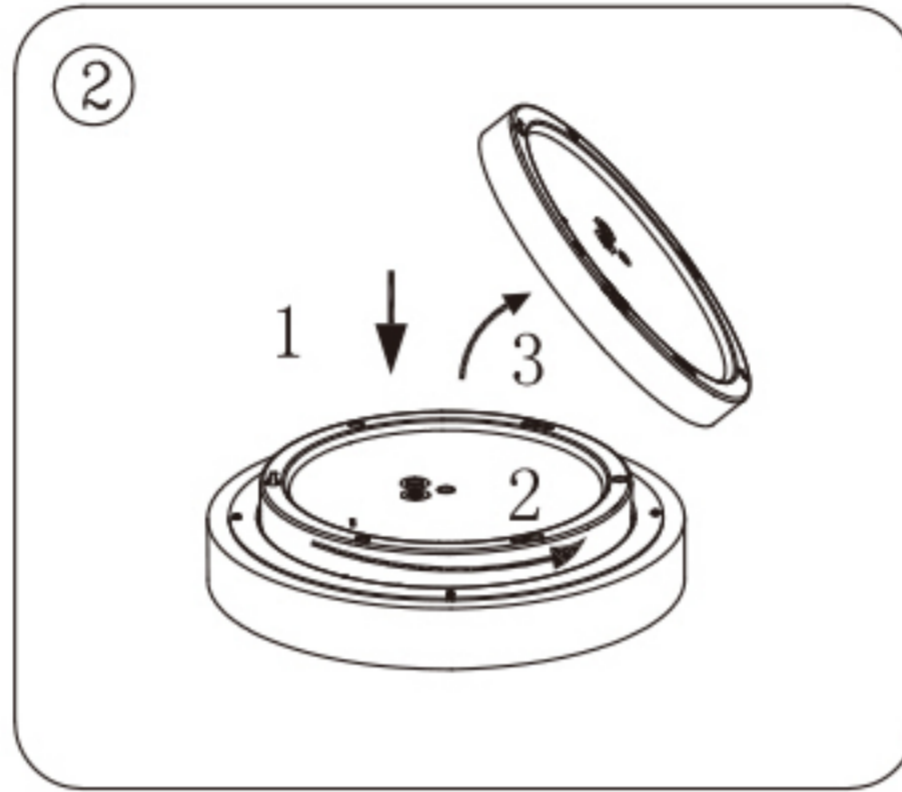
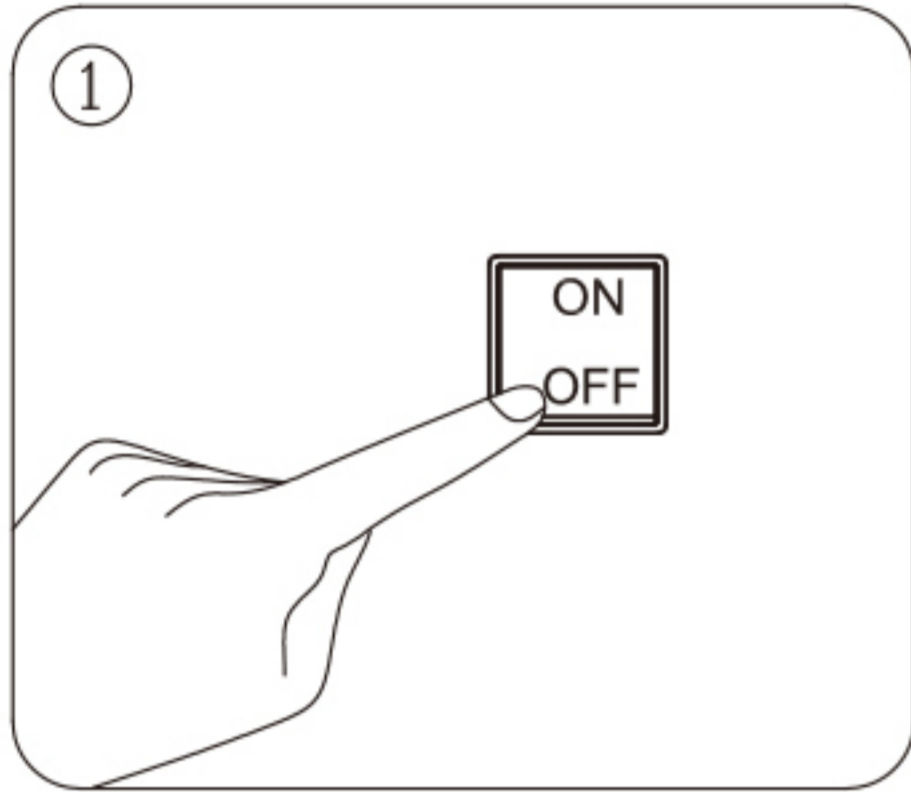
RoHS

CE

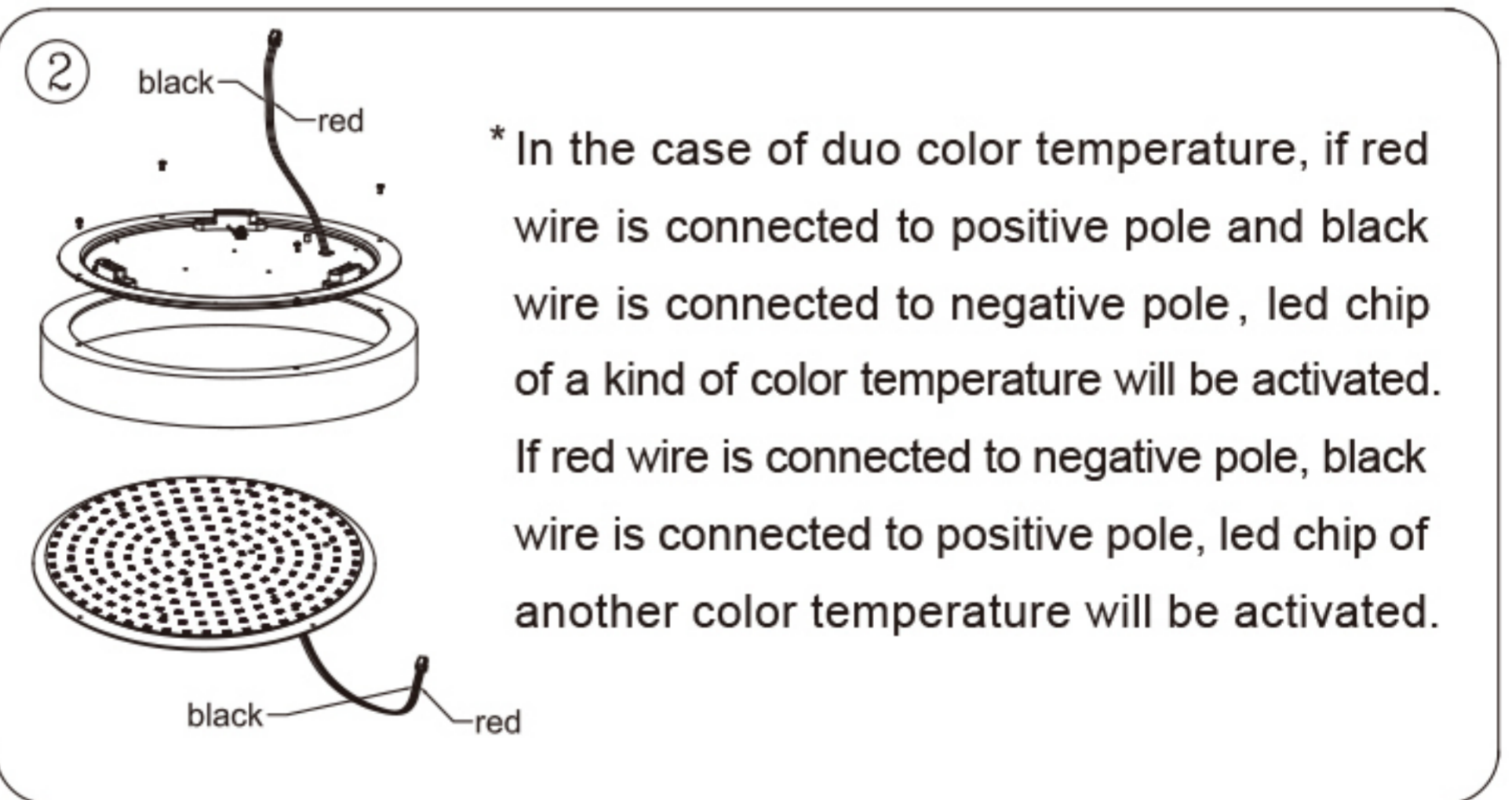
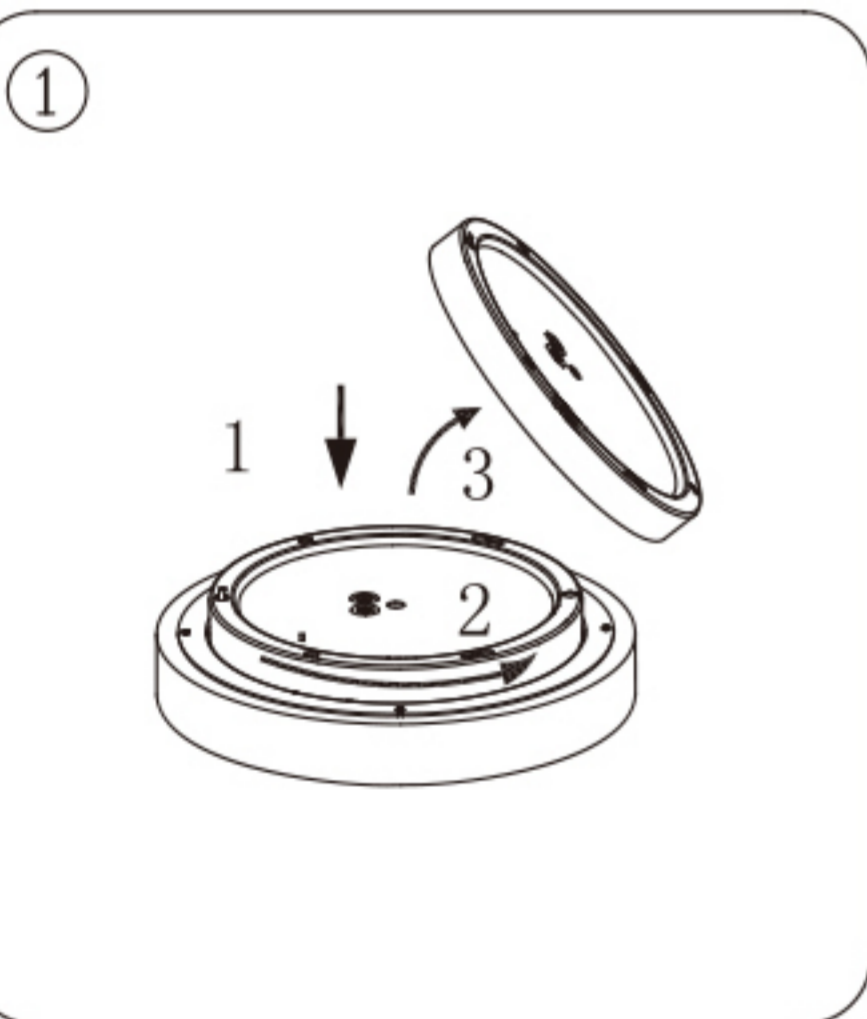
IP20



## Installation instruction



## Light source disassembly instruction



- Always follow this instruction to ensure correct and safe installation and functioning of the luminaire and keep it for future reference.
- Always isolate the power before commencing installation.
- If in doubt, consult a qualified electrician. Ensure that you always install the luminaire to the relevant regulations.
- Important: Do not use any detergent or substances with chemical compositions, including alcohol, gasoline, etc., to clean the surface of the luminaire. Instead, clean it solely with clear water.

MANUFACTURER DOES NOT TAKE ANY RISKS AND RESPONSIBILITIES ARISING FROM NON-STANDARD OPERATION.

## Correct Disposal of this product



This marking indicates that this product should not be disposed with other household wastes throughout the EU. To prevent possible harm to the environment or human health from uncontrolled waste disposal, recycle it responsibly to promote the sustainable reuse of material resources. To return your used device, please use the return and collection systems or contact the retailer where the product was purchased. They can take this product for environmental safe recycling.