

PURATI



# COMPO



Microwave motion sensor



Emergency lighting



Motion sensor and emergency lighting

Compo 320



Compo 450



Compo 600



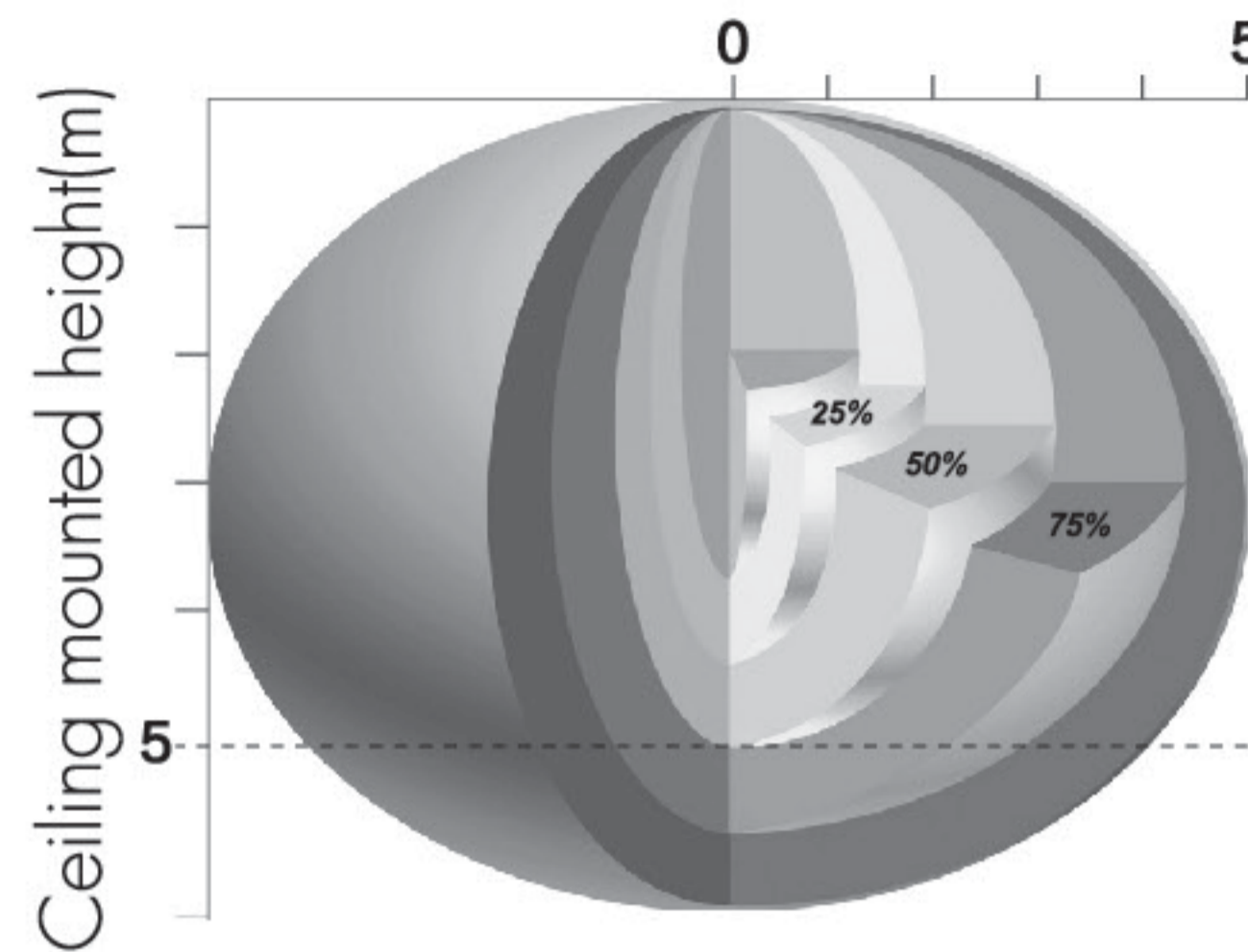
## Configuration of the detecting function



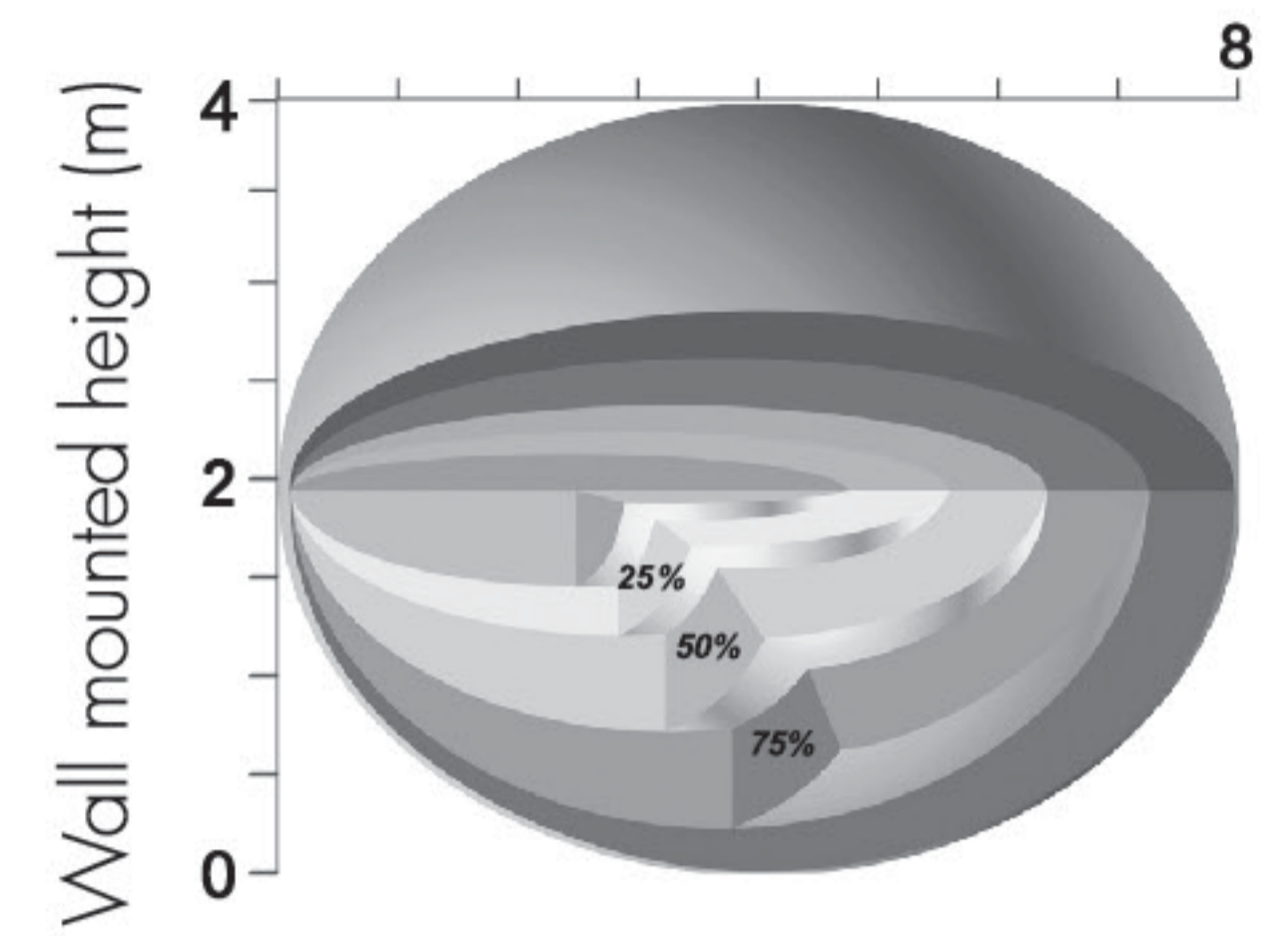
The configuration of the detecting function is by setting the DIP switch.

### DESCRIPTION OF MICROWAVE SENSOR

Detection zone Max (D x H): 5m x 5m  
 Detecting distance: 25% - 100%, adjustable  
 Light sensibility: 10-100 lux, adjustable  
 Hold time: 5sec-5min, adjustable  
 Stand-by Period: 0sec - , adjustable  
 Mounting height: 5m Max.  
 Detection angle: 150° (Ceiling and wall installation)



Ceiling mounted detection area (Unit: m)  
 Suggested installation height: 3m



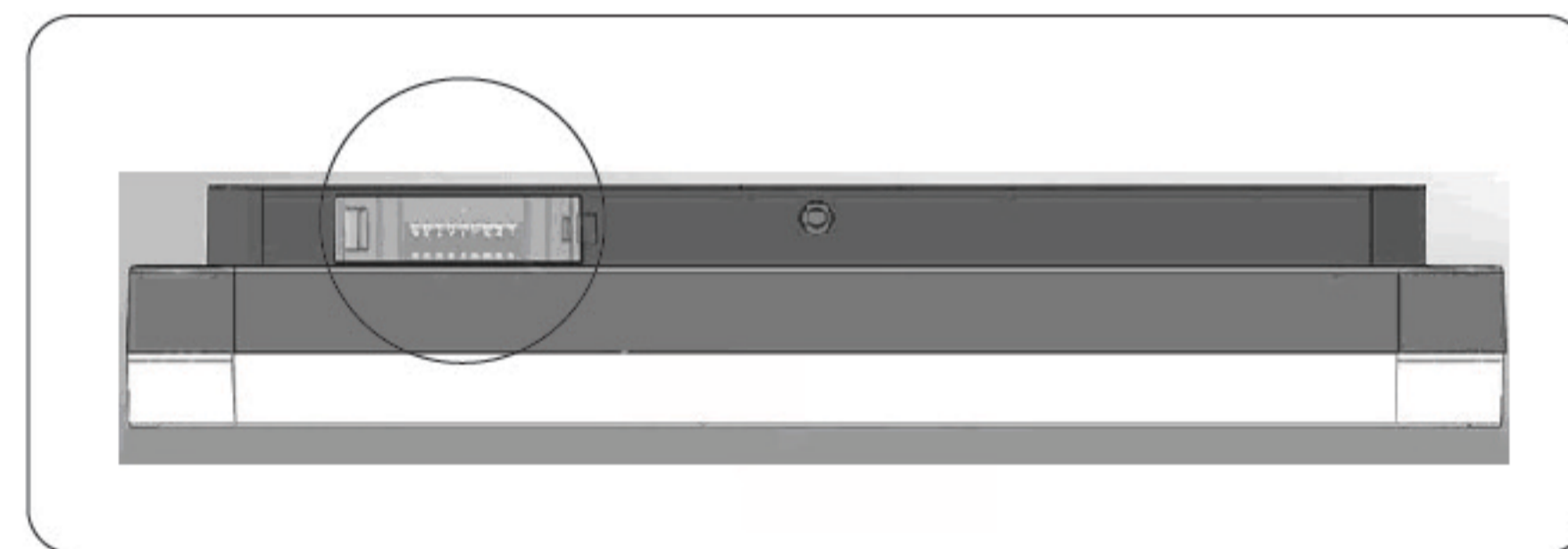
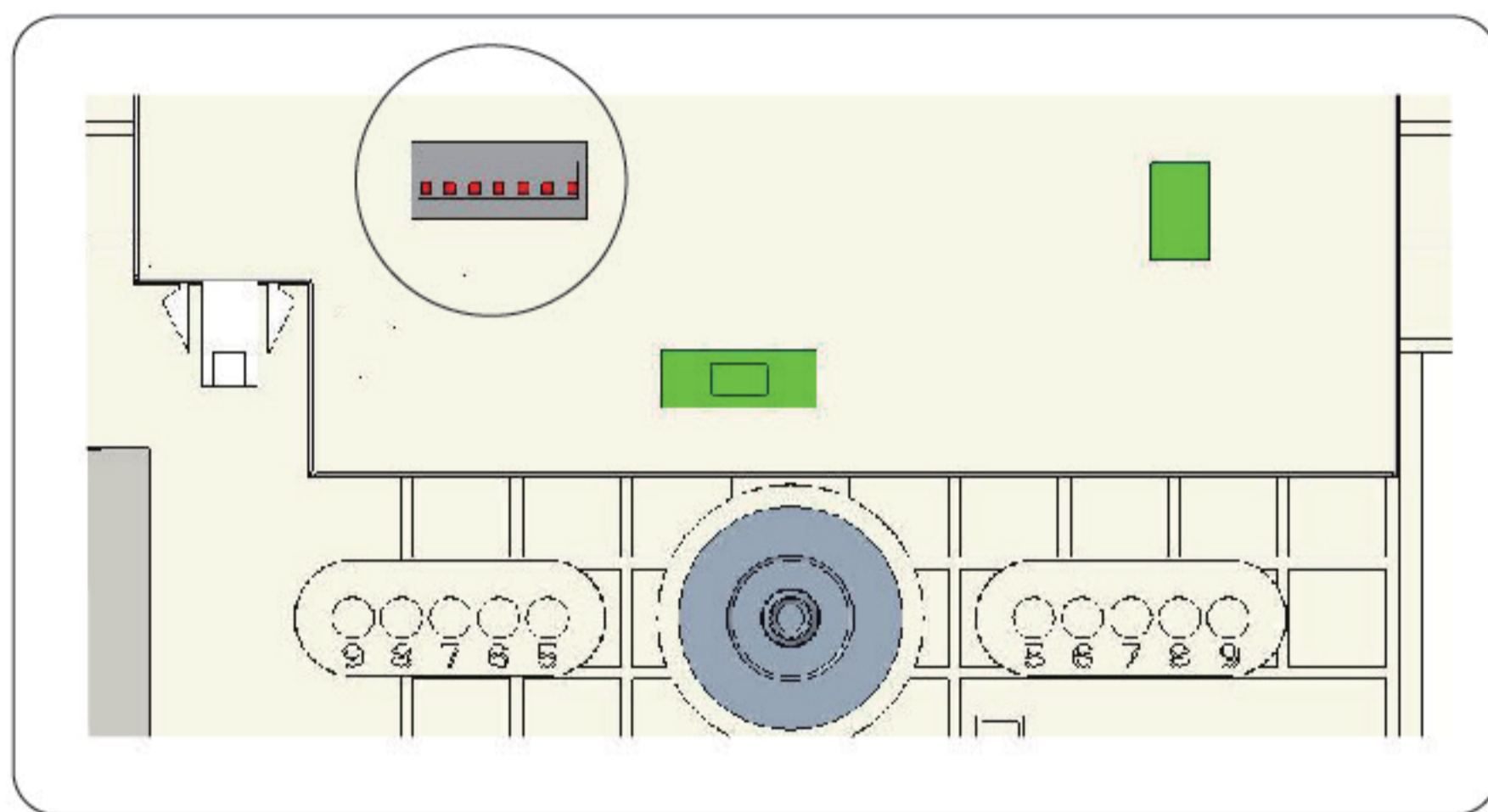
Wall mounted detection area (Unit: m)  
 Suggested installation height: 2m

### Default sensor factory settings:

Detecting distance: 100%  
 Hold time: 1min  
 Stand-by Period: 60min (@30%)

### <<Finding the DIP switch>>

Depending on specific luminaire, you will find the DIPswitch as shown below.

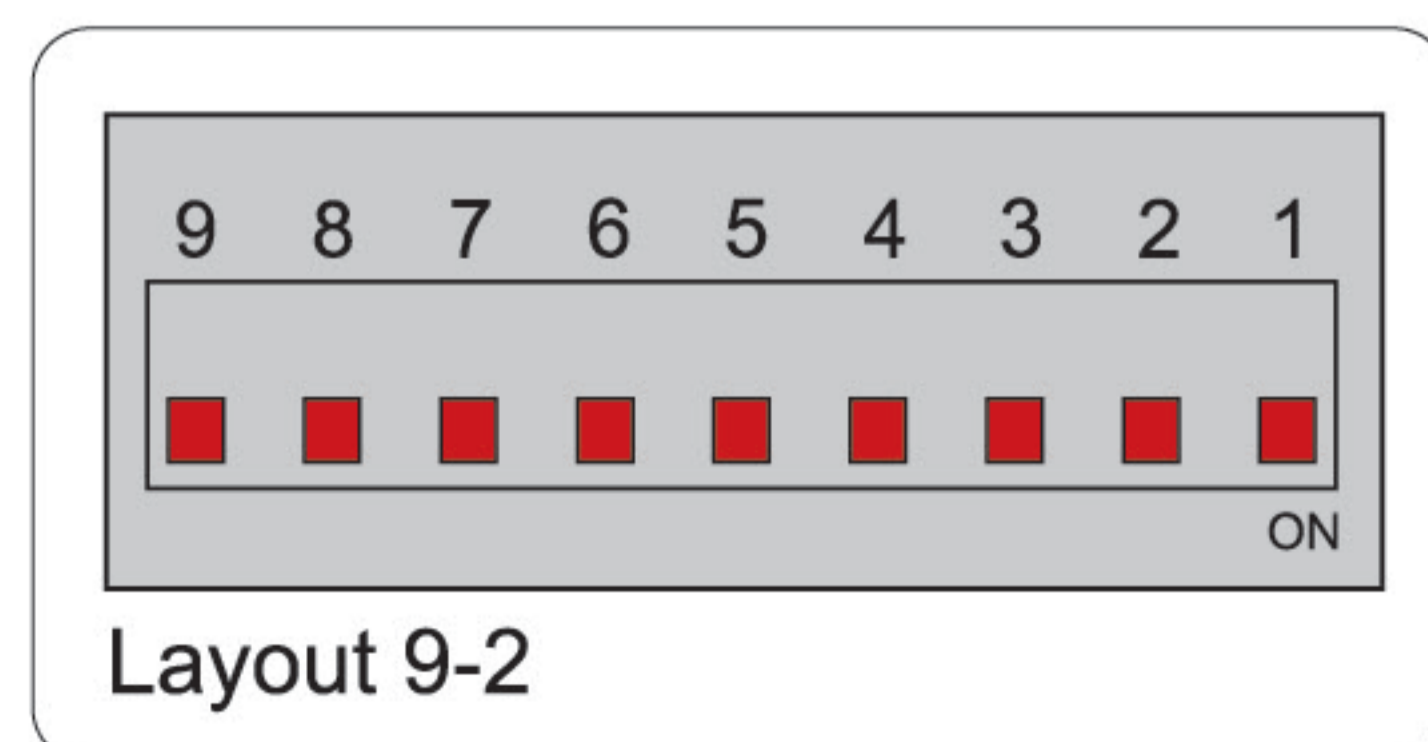
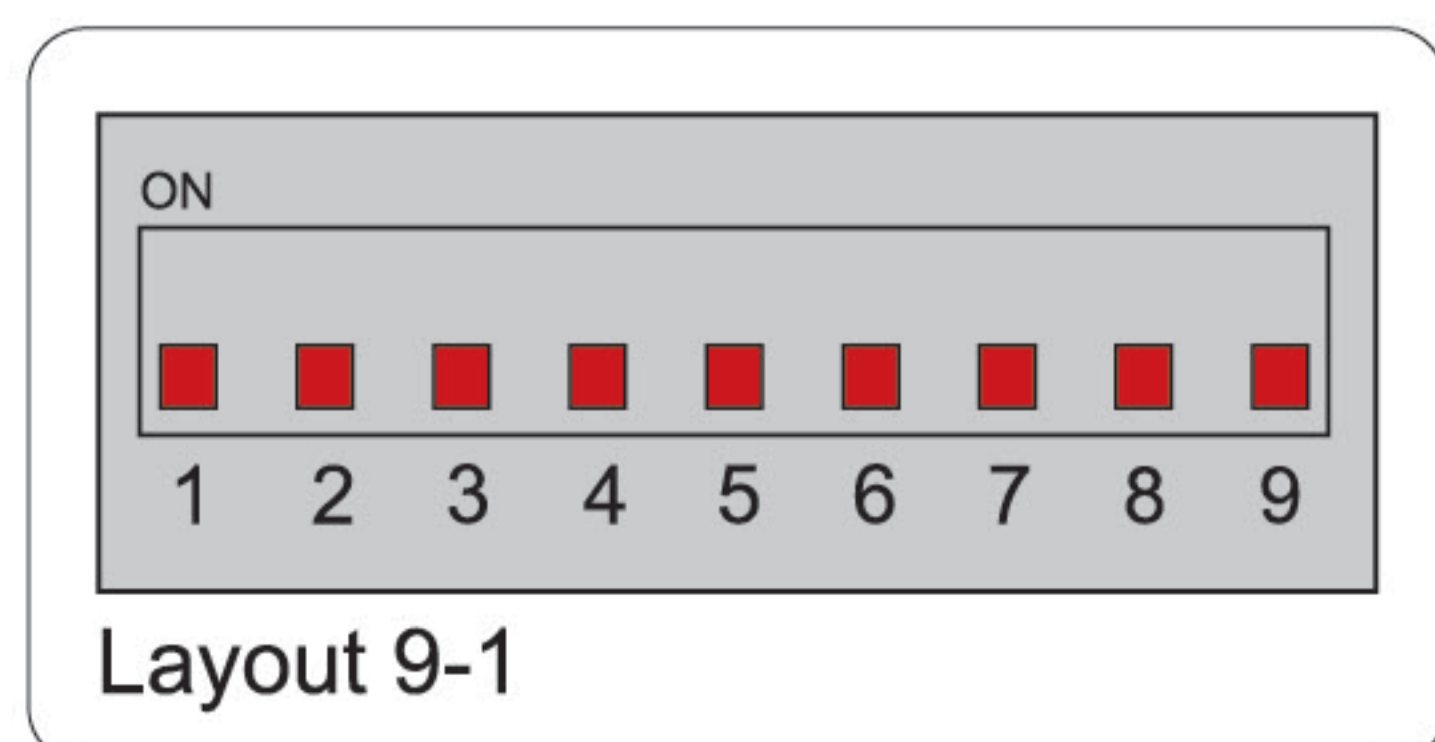


### <<Choosing the Setting table>>

1. Finding the same Layout of DIP switch as your luminaire.
2. According to the function of your luminaire, select the table.
3. Setup your own configuration by referring the selected table.

Table\_MSC9

### 9P DIP switch



Detecting distance	Delay				Light sensibility			Delay on dimmed light			Dimmed light			
	Nr.	1	2	Nr.	3	4	Nr.	5	6	Nr.	7	8	Nr.	9
25%	ON	ON	5S	ON	ON	24H*	ON	ON	0S	ON	ON	10%	ON	
50%	ON	OFF	[1M]	ON	OFF	[10 lux]	ON	OFF	30M	ON	OFF	[30%]	OFF	
75%	OFF	ON	3M	OFF	ON	50 lux	OFF	ON	[60M]	OFF	ON			
[100%]	OFF	OFF	5M	OFF	OFF	100 lux	OFF	OFF	∞**	OFF	OFF			

[DEFAULT SETTING] 100% : 5 Meters \* No light sensing.

\* The dimmed light will be constantly ON unless the surroundings brightness is higher than the setting of light sensibility.

<<Relay function>>

1. One Location Sensor:

By connecting the L of one or more non-dimmable luminaire to the L' of sensor luminaire meanwhile, connecting the N of one or more non-dimmable luminaire to N of sensor luminaire.

1.1 The non-dimmable luminaire will be turned on/off with sensor luminaire at the same time.

\* 1.2 The non-dimmable luminaire will be turned off while sensor luminaire on dimmed light or be turned off.

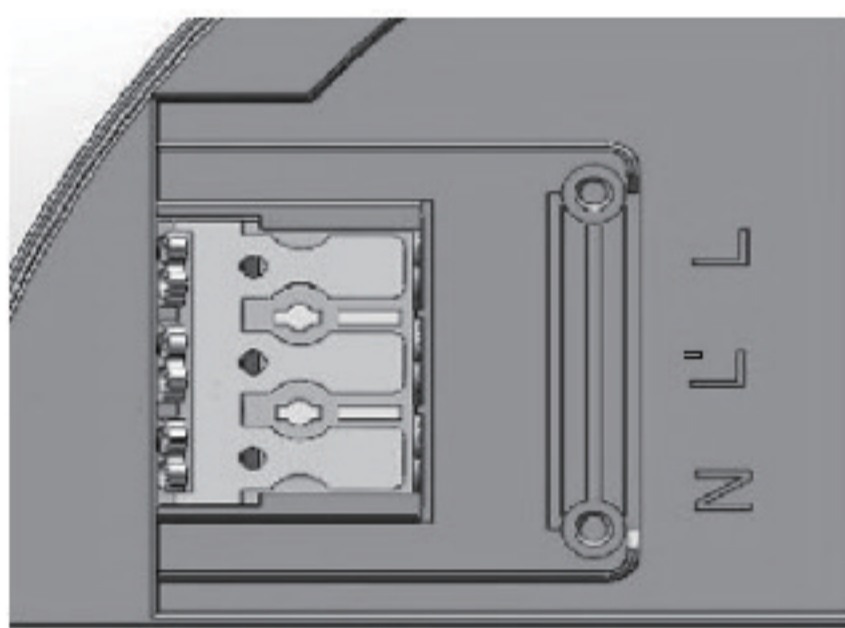
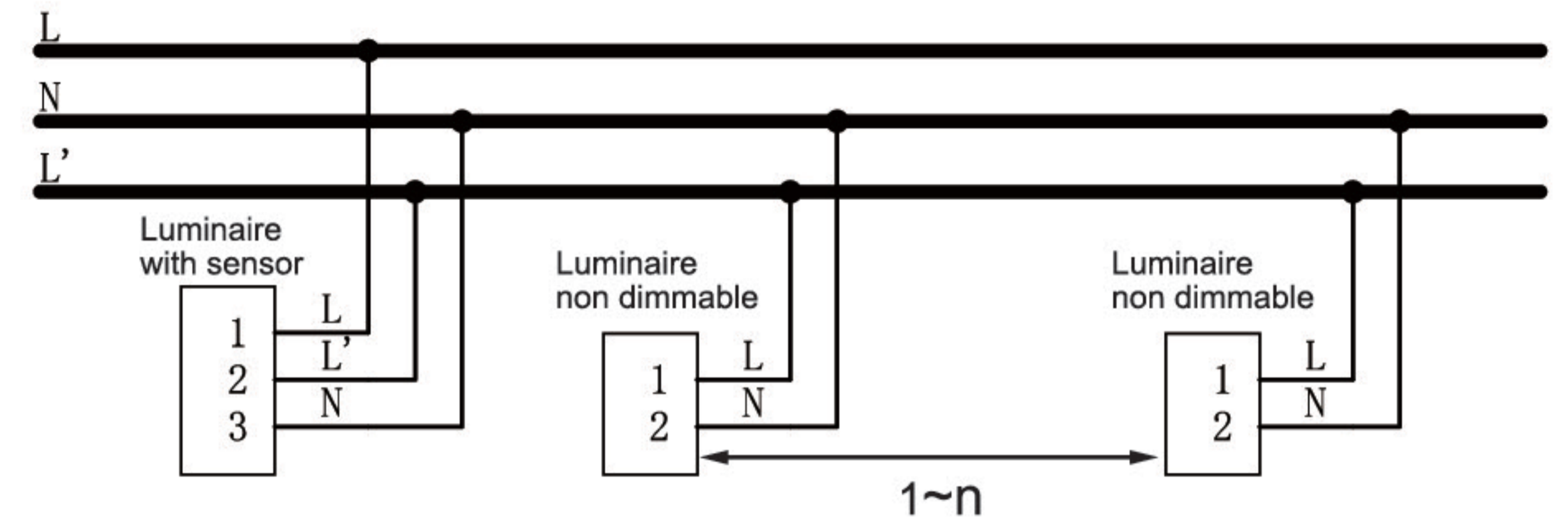
2. Multiple Location Sensing:

By a combination of more than one sensor and non-dimmable luminaire, you may achieve multiple location sensing function. Be aware of that.

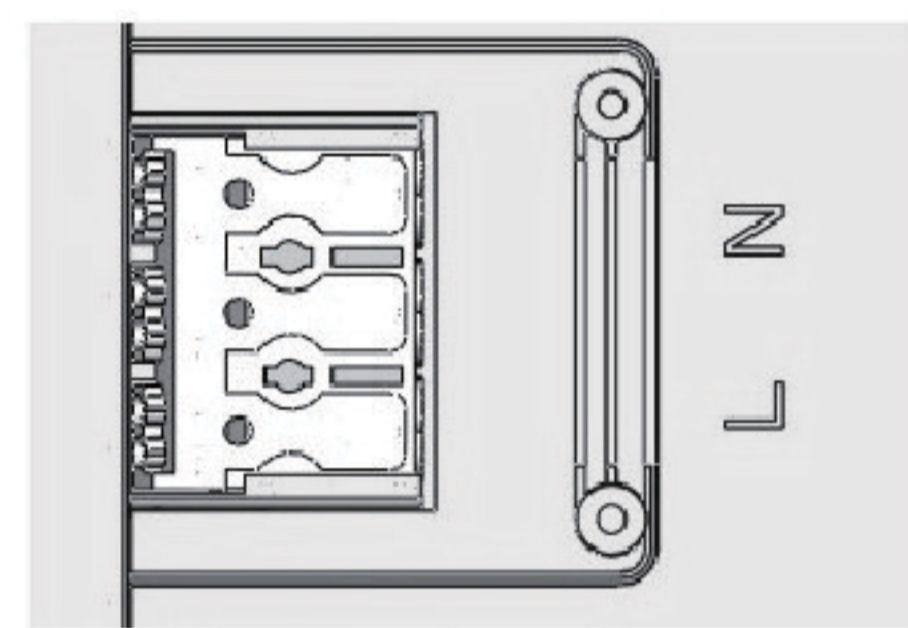
2.1 All sensor luminaire have to be connected to each other in the following way: N to N; L to L; L' to L';

2.2 All the non-dimmable version luminaires has to be connected in the following way: N to N; L to L';

One Location



Terminal of luminaire with motion sensor

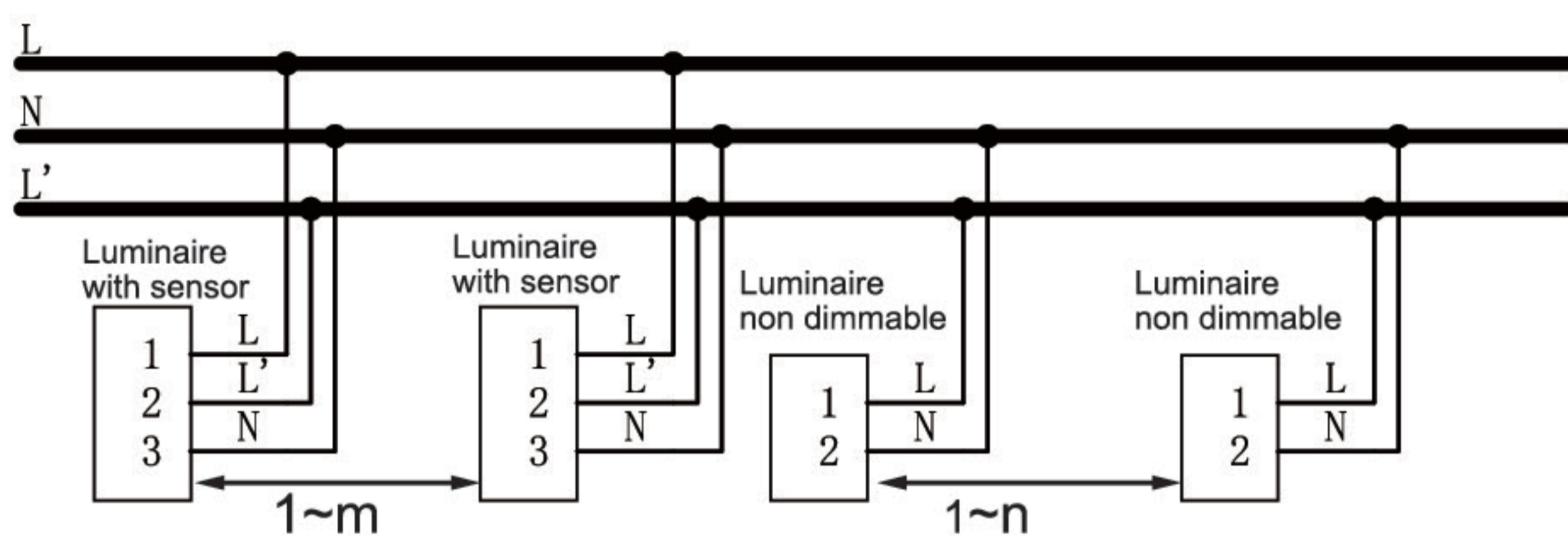


Terminal of luminaire same model Non Dimmable

m ≤ 100 PCS  
n refer to following table:  
NOTE: n ≤ max 170W

Wattage	Quantites (n)	Wattage	Quantites (n)
10W	17PCS	29W	5PCS
15W	11PCS	32W	5PCS
18W	9PCS	38W	4PCS
24W	7PCS		

Multiple Locations



# Manual

## Description Of Emergency Lighting

Compliance AS/NZS 2293.3.2018 – Emergency lighting & Exit Signs for buildings  
Part 2: Emergency luminaires and exit signs.

Emergency lighting time	up to 3 hours
Light output	300-400lm Lumen (3-4W)
Testing function	Automatic (Monthly, yearly) and manual
Battery type	Lithium
Battery warranty	2 years (can be replaceable)

The luminaire is equipped with a stand-alone emergency power supply and manual/automatic inspecting function (Monthly and Yearly).

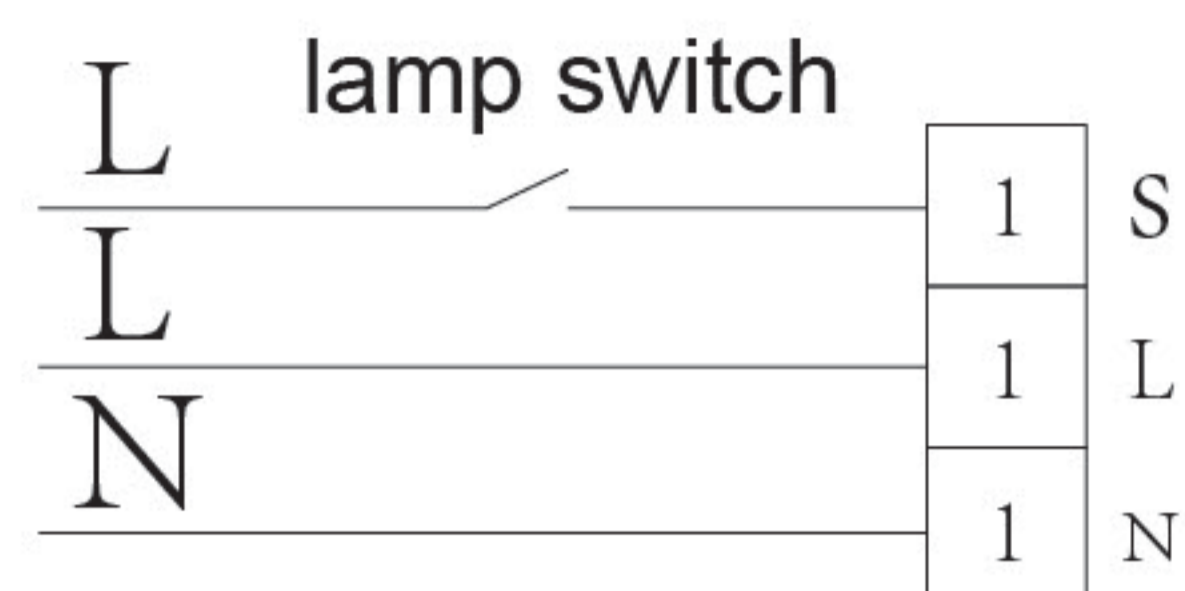
## 1.Features

- a) Switching mode between MAINS and EMERGENCY power supply automatically:
  - Entering Emergency Mode: MAINS < 155 +/- 10V
  - Returning back to Mains Mode: MAINS > 180V
- b) Time counting:
  - Start of counting: 48hours after installation
  - Month: 30+/-2 days after Start of counting
  - Year: 12 times of Month
  - Automatic Inspection:
    - Month inspection: Performing a 120s emergency status and then back to normal
    - Year inspection: Performing a full discharging till the battery is fully discharged.
    - Remark: Yellow indicator turns ON, shows the discharging time is less than 30 minutes. Please call a specialist for a checking.
    - After the checking, press shortly the Inspection button (less than 3 seconds) to turn off the Yellow indicator.
- d) Manual Inspection function:
  - Month inspection: By pressing the Inspection button for 3-5 seconds (the Green indicator is flashing a 1Hz)
  - Year inspection: By pressing the Inspection button for 5-7 seconds (the Green indicator is flashing a 3Hz)
- e) Interrupting the progress of inspection: Press shortly the Inspection button (less than 3 seconds)

## 2.Connection:

S : for switch

If switching the luminaire is not needed, you just short the L and S terminal



## 3.Inspection Button:

	Press<3s	Press3-5s	Press5-7s	Press>7s
Condition	Mains in normal status	Mains in normal status	Mains is in normal status	In emergency status
Function	Simulation of power failure	Month inspection	Year inspection	Switching back to Mains supply
Results	entering emergency status	The GREEN indicator flashing at 1Hz.	The GREEN indicator flashing at 3Hz	Back to Mains supply
After release	Back to normal status	Entering month inspection status: Performing a 120s emergency status and then back to normal status	Entering year inspection status: Performing a full discharging. ★	Stay in Mains supply

★ If the discharging time is less than 30 minutes, the yellow indicator will be on and the luminaire will be back to Mains automatically.

## 4.Indicators:

Indicator	Function	Light on	Flashing	Light off
RED	Charging indication	charging		Fully charged
GREEN	Status indication of mains and inspection	Mains status OK	1 Hz: month inspection 3 Hz: year inspection	
YELLOW	Failure indication	Discharging time is short	1Hz: Fault in charging circuit	

