

DESCRIPTION

Compo 600 Office

Pure architectural light fittings for all applications  
Compo series is a very classic cylindrical design in various sizes and mounting options that integrates elegantly into any architecture.

Uniformly illuminated product thanks to its 2 diffusers design. Opal diffuser provides homogeneous general lighting and Micro-prismatic diffuser is ideal for office lighting.

Available in direct only or direct – indirect light distribution options which perfect for office use, education, healthcare, retail, hospitality, and hotel.

npk design, the Netherlands



QUICKINFO

GENERAL

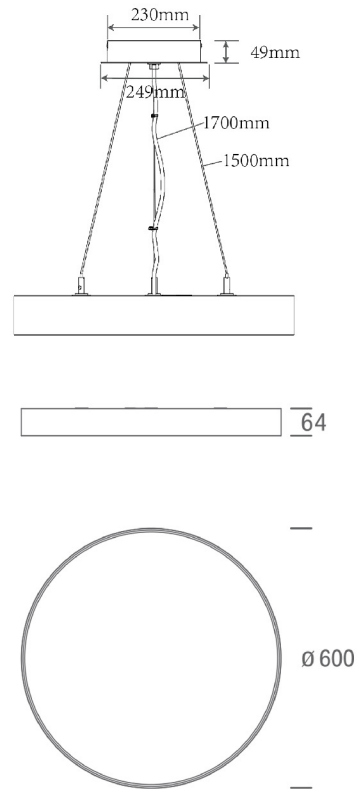
Material	Aluminium, Micro-prismatic cover
Finish	Black
IP	IP20
Lifetime	L80/50,000h
Warranty	5 years

LED

LED Chip	Seoul
Lumen	5500lm/4000lm
Efficacy	Up tp 105lm/W
CRI	>90
CCT	3000K/4000K Switch
SDCM	>3
UGR	<19 (X=4H, Y=8H)

ELECTRICAL

Voltage	220-240V
Power	55/38W Switch
Driver(Build-in)	Phase Dimming Direct only



DESCRIPTION

Compo 600 Office

Pure architectural light fittings for all applications  
Compo series is a very classic cylindrical design in various sizes and mounting options that integrates elegantly into any architecture.

Uniformly illuminated product thanks to its 2 diffusers design. Opal diffuser provides homogeneous general lighting and Micro-prismatic diffuser is ideal for office lighting.

Available in direct only or direct – indirect light distribution options which perfect for office use, education, healthcare, retail, hospitality, and hotel.

npk design, the Netherlands



QUICKINFO

GENERAL

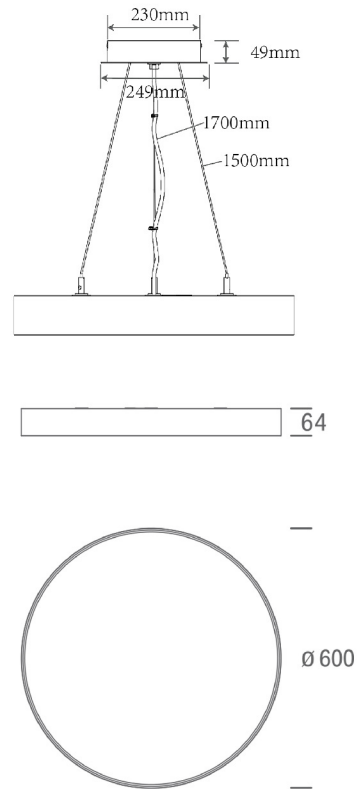
Material	Aluminium, Micro-prismatic cover
Finish	White
IP	IP20
Lifetime	L80/50,000h
Warranty	5 years

LED

LED Chip	Seoul
Lumen	5500lm/4000lm
Efficacy	Up tp 105lm/W
CRI	>90
CCT	3000K/4000K Switch
SDCM	>3
UGR	<19 (X=4H, Y=8H)

ELECTRICAL

Voltage	220-240V
Power	55/38W Switch
Driver(Build-in)	Phase Dimming Direct only



DESCRIPTION

Compo 600 Office DALI

Pure architectural light fittings for all applications  
 Compo series is a very classic cylindrical design in various sizes and mounting options that integrates elegantly into any architecture.

Uniformly illuminated product thanks to its 2 diffusers design. Opal diffuser provides homogeneous general lighting and Micro-prismatic diffuser is ideal for office lighting.

Available in direct only or direct – indirect light distribution options which perfect for office use, education, healthcare, retail, hospitality, and hotel.

npk design, the Netherlands



QUICKINFO

GENERAL

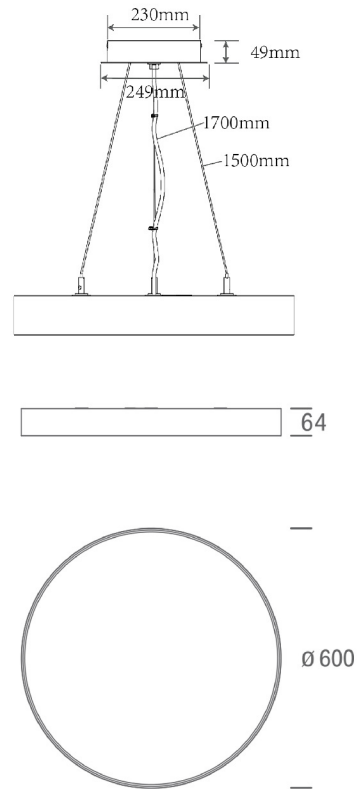
Material	Aluminium, Micro-prismatic cover
Finish	Black
IP	IP20
Lifetime	L80/50,000h
Warranty	5 years

LED

LED Chip	Seoul
Lumen	5500lm/4000lm
Efficacy	Up tp 105lm/W
CRI	>90
CCT	3000K/4000K Switch
SDCM	>3
UGR	<19 (X=4H, Y=8H)

ELECTRICAL

Voltage	220-240V
Power	55/38W Switch
Driver(Build-in)	DALI Dimming Direct only



DESCRIPTION

Compo 600 Office DALI

Pure architectural light fittings for all applications  
Compo series is a very classic cylindrical design in various sizes and mounting options that integrates elegantly into any architecture.

Uniformly illuminated product thanks to its 2 diffusers design. Opal diffuser provides homogeneous general lighting and Micro-prismatic diffuser is ideal for office lighting.

Available in direct only or direct – indirect light distribution options which perfect for office use, education, healthcare, retail, hospitality, and hotel.

npk design, the Netherlands



QUICKINFO

GENERAL

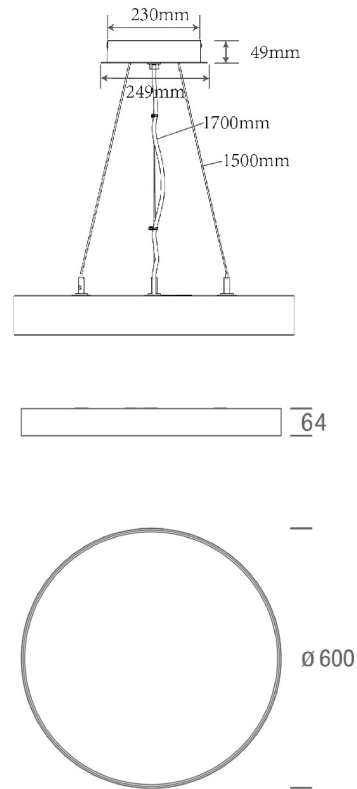
Material	Aluminium, Micro-prismatic cover
Finish	White
IP	IP20
Lifetime	L80/50,000h
Warranty	5 years

LED

LED Chip	Seoul
Lumen	5500lm/4000lm
Efficacy	Up tp 105lm/W
CRI	>90
CCT	3000K/4000K Switch
SDCM	>3
UGR	<19 (X=4H, Y=8H)

ELECTRICAL

Voltage	220-240V
Power	55/38W Switch
Driver(Build-in)	DALI Dimming Direct only



DESCRIPTION

Compo 600 Office Indirect

Pure architectural light fittings for all applications  
Compo series is a very classic cylindrical design in various sizes and mounting options that integrates elegantly into any architecture.

Uniformly illuminated product thanks to its 2 diffusers design. Opal diffuser provides homogeneous general lighting and Micro-prismatic diffuser is ideal for office lighting.

Available in direct only or direct – indirect light distribution options which perfect for office use, education, healthcare, retail, hospitality, and hotel.

npk design, the Netherlands



QUICKINFO

GENERAL

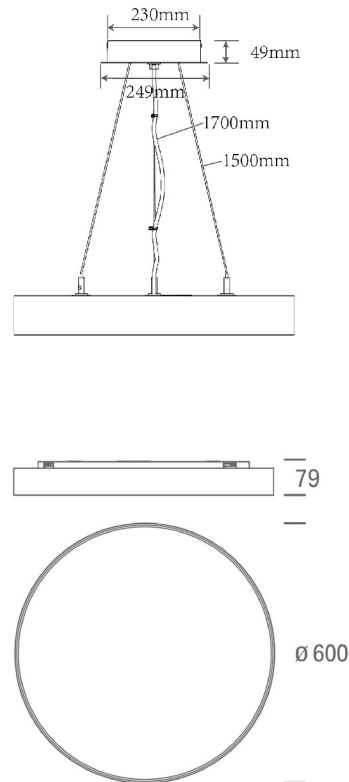
Material	Aluminium, Micro-prismatic cover
Finish	Black
IP	IP20
Lifetime	L80/50,000h
Warranty	5 years

LED

LED Chip	Seoul
Lumen	5500lm/4000lm
Efficacy	Up tp 105lm/W
CRI	>90
CCT	3000K/4000K Switch
SDCM	>3
UGR	<19 (X=4H, Y=8H)

ELECTRICAL

Voltage	220-240V
Power	55/38W Switch
Driver(Build-in)	Phase Dimming Direct - Indirect



DESCRIPTION

Compo 600 Office Indirect

Pure architectural light fittings for all applications  
Compo series is a very classic cylindrical design in various sizes and mounting options that integrates elegantly into any architecture.

Uniformly illuminated product thanks to its 2 diffusers design. Opal diffuser provides homogeneous general lighting and Micro-prismatic diffuser is ideal for office lighting.

Available in direct only or direct – indirect light distribution options which perfect for office use, education, healthcare, retail, hospitality, and hotel.

npk design, the Netherlands



QUICKINFO

GENERAL

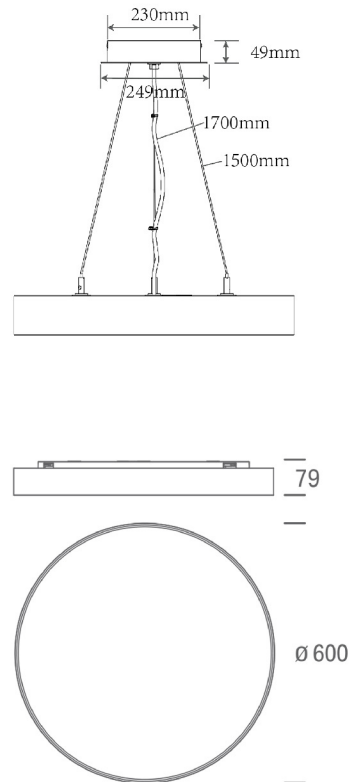
Material	Aluminium, Micro-prismatic cover
Finish	White
IP	IP20
Lifetime	L80/50,000h
Warranty	5 years

LED

LED Chip	Seoul
Lumen	5500lm/4000lm
Efficacy	Up tp 105lm/W
CRI	>90
CCT	3000K/4000K Switch
SDCM	>3
UGR	<19 (X=4H, Y=8H)

ELECTRICAL

Voltage	220-240V
Power	55/38W Switch
Driver(Build-in)	Phase Dimming Direct - Indirect



DESCRIPTION

Compo 600 Office Indirect DALI

Pure architectural light fittings for all applications  
Compo series is a very classic cylindrical design in various sizes and mounting options that integrates elegantly into any architecture.

Uniformly illuminated product thanks to its 2 diffusers design. Opal diffuser provides homogeneous general lighting and Micro-prismatic diffuser is ideal for office lighting.

Available in direct only or direct – indirect light distribution options which perfect for office use, education, healthcare, retail, hospitality, and hotel.

npk design, the Netherlands



QUICKINFO

GENERAL

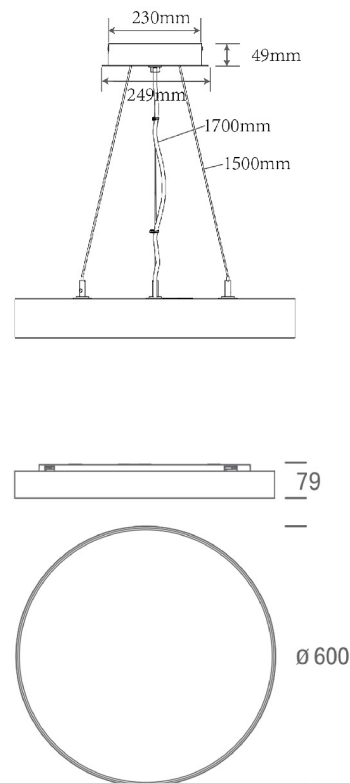
Material	Aluminium, Micro-prismatic cover
Finish	Black
IP	IP20
Lifetime	L80/50,000h
Warranty	5 years

LED

LED Chip	Seoul
Lumen	5500lm/4000lm
Efficacy	Up tp 105lm/W
CRI	>90
CCT	3000K/4000K Switch
SDCM	>3
UGR	<19 (X=4H, Y=8H)

ELECTRICAL

Voltage	220-240V
Power	55/38W Switch
Driver(Build-in)	DALI Dimming Direct - Indirect



DESCRIPTION

Compo 600 Office Indirect DALI

Pure architectural light fittings for all applications  
Compo series is a very classic cylindrical design in various sizes and mounting options that integrates elegantly into any architecture.

Uniformly illuminated product thanks to its 2 diffusers design. Opal diffuser provides homogeneous general lighting and Micro-prismatic diffuser is ideal for office lighting.

Available in direct only or direct – indirect light distribution options which perfect for office use, education, healthcare, retail, hospitality, and hotel.

npk design, the Netherlands



QUICKINFO

GENERAL

Material	Aluminium, Micro-prismatic cover
Finish	White
IP	IP20
Lifetime	L80/50,000h
Warranty	5 years

LED

LED Chip	Seoul
Lumen	5500lm/4000lm
Efficacy	Up tp 105lm/W
CRI	>90
CCT	3000K/4000K Switch
SDCM	>3
UGR	<19 (X=4H, Y=8H)

ELECTRICAL

Voltage	220-240V
Power	55/38W Switch
Driver(Build-in)	DALI Dimming Direct - Indirect

