

PURATI®

Defender

Robust and reliable in demanding circumstances

Extremely durable, high visual comfort, outstanding performance. Offering an ideal blend of beauty and safety for pathway lighting urban and residential spaces.



This robust bollard light designed in a form intermediate between a square and a round. Its anti-glare design ensures comfortable illumination, provide both safety and high performance to outdoor pathways and walkways. Available in two finishes, three sizes and with 180° or 360° light distribution options.

DESCRIPTION

Defender 250

Robust and reliable in demanding circumstances
Extremely durable, high visual comfort, outstanding performance. Offering an ideal blend of beauty and safety for pathway lighting urban and residential spaces.

This robust bollard light designed in a form intermediate between a square and a round. Its anti-glare design ensures comfortable illumination, provide both safety and high performance to outdoor pathways and walkways. Available in two finishes, three sizes and with 180° or 360° light distribution options.



QUICKINFO

GENERAL

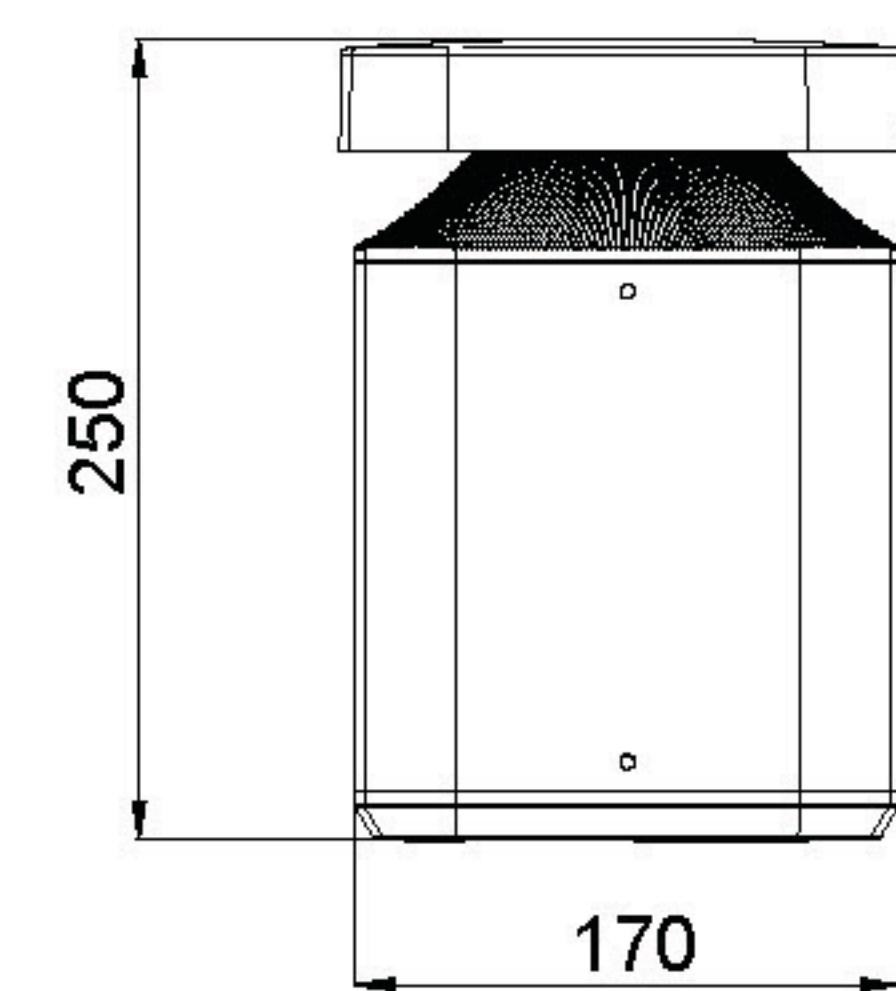
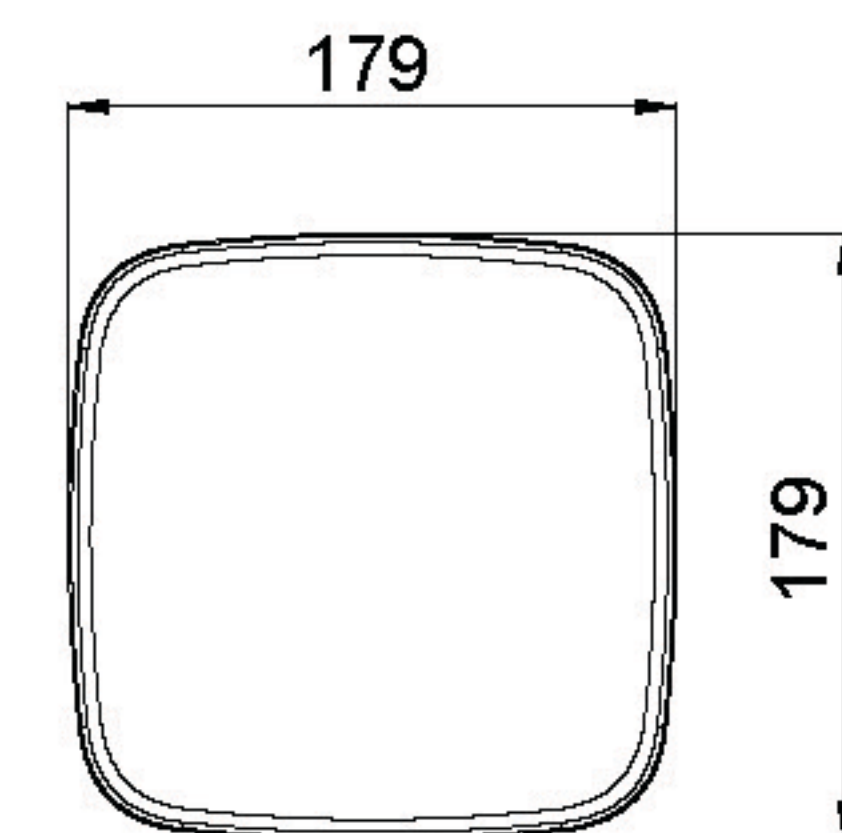
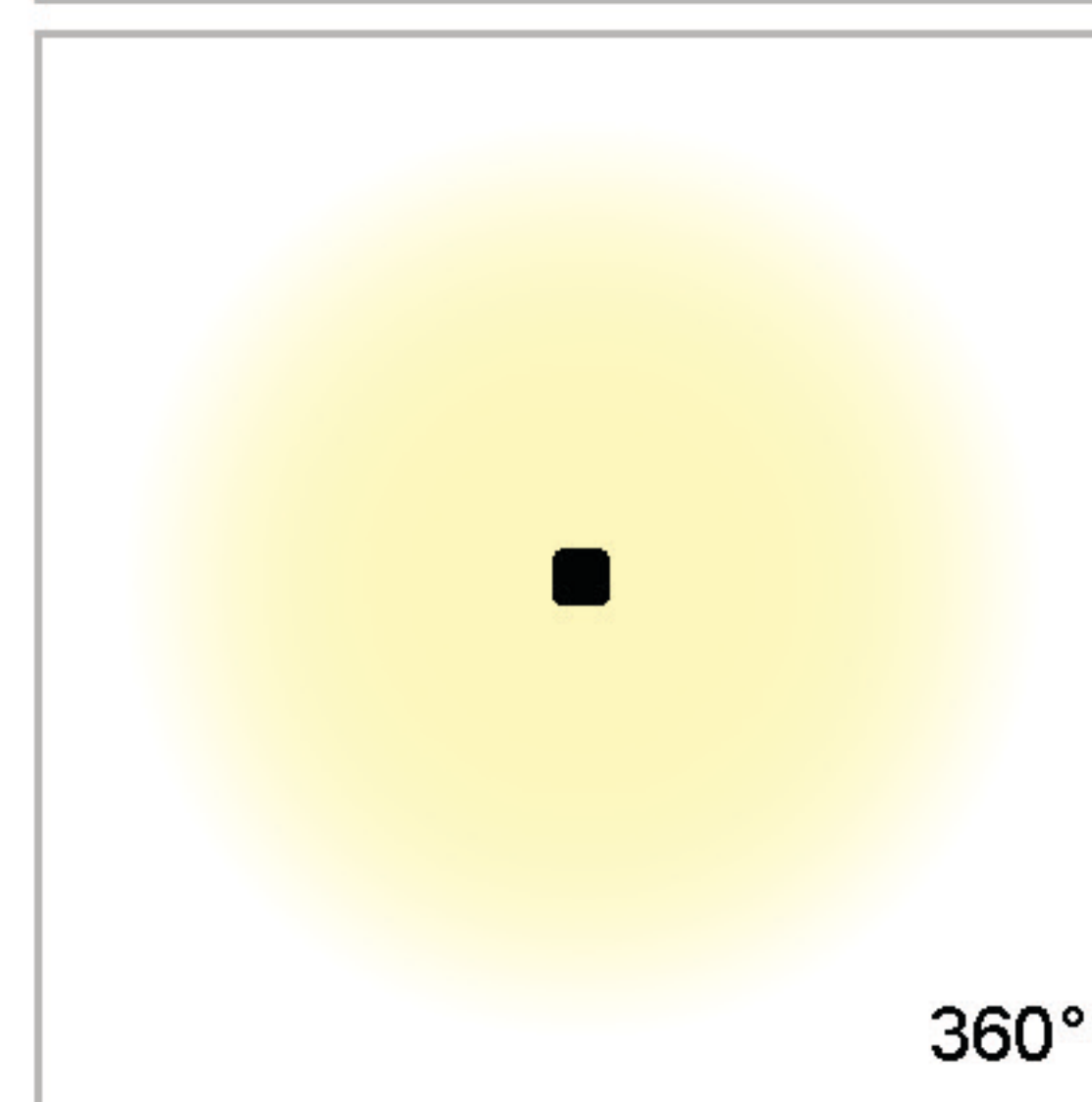
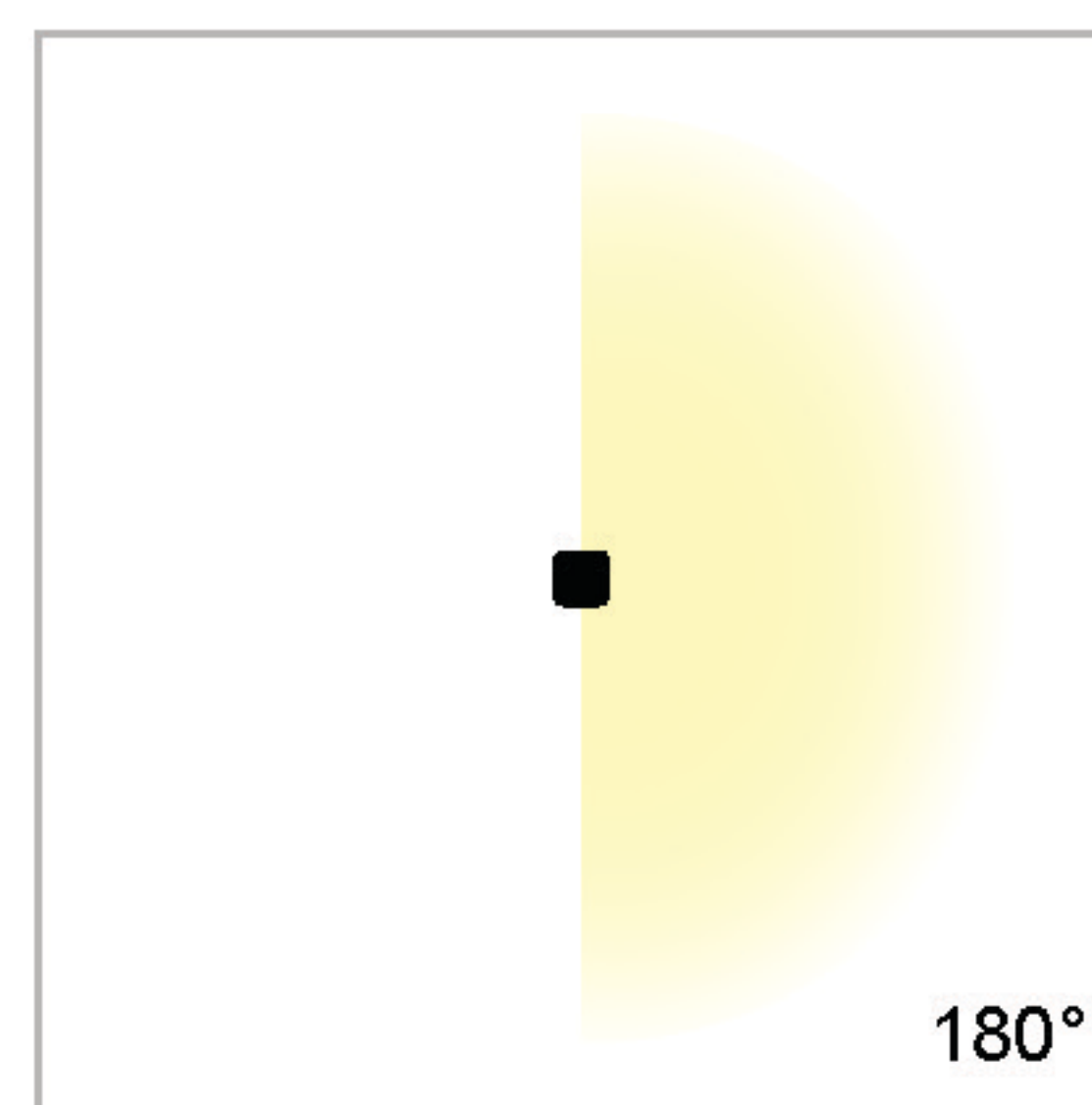
Finish	Black
Material	6063 Aluminium
IP Protection	IP65
IK Protection	IK10
Light Distribution	180° / 360°
Lifetime (Ta 40°C)	L80/50,000h
Warranty	5 years

LED

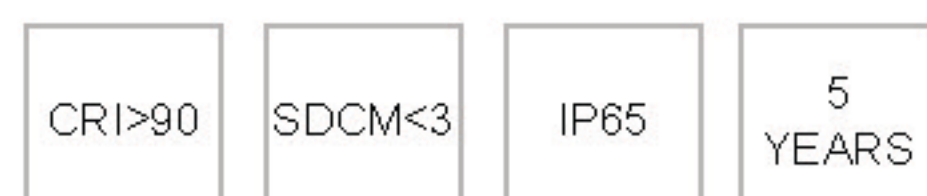
Lumen	429lm / 988lm
Efficacy	35lm/W / 41lm/W
CRI	>90
CCT	3000K
SDCM	<3

ELECTRICAL

Voltage	220-240V
Power	12W/24W
Driver(Build-in)	Non-dim / DALI



(mm)



PURATI PTY LTD

Unit 10, 80 O'Riordan St, Alexandria NSW 2015
Tel: +61 2 8065 8181
sales@purati.com

DESCRIPTION

Defender 600

Robust and reliable in demanding circumstances
Extremely durable, high visual comfort, outstanding performance. Offering an ideal blend of beauty and safety for pathway lighting urban and residential spaces.

This robust bollard light designed in a form intermediate between a square and a round. Its anti-glare design ensures comfortable illumination, provide both safety and high performance to outdoor pathways and walkways. Available in two finishes, three sizes and with 180° or 360° light distribution options.



QUICKINFO

GENERAL

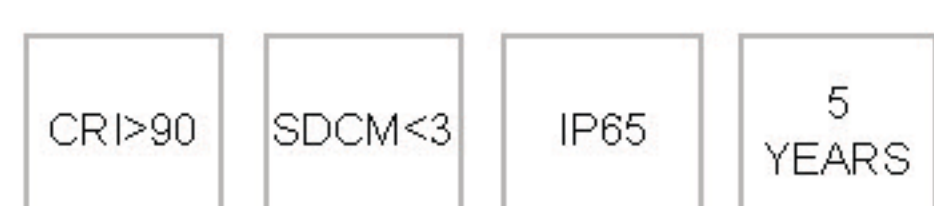
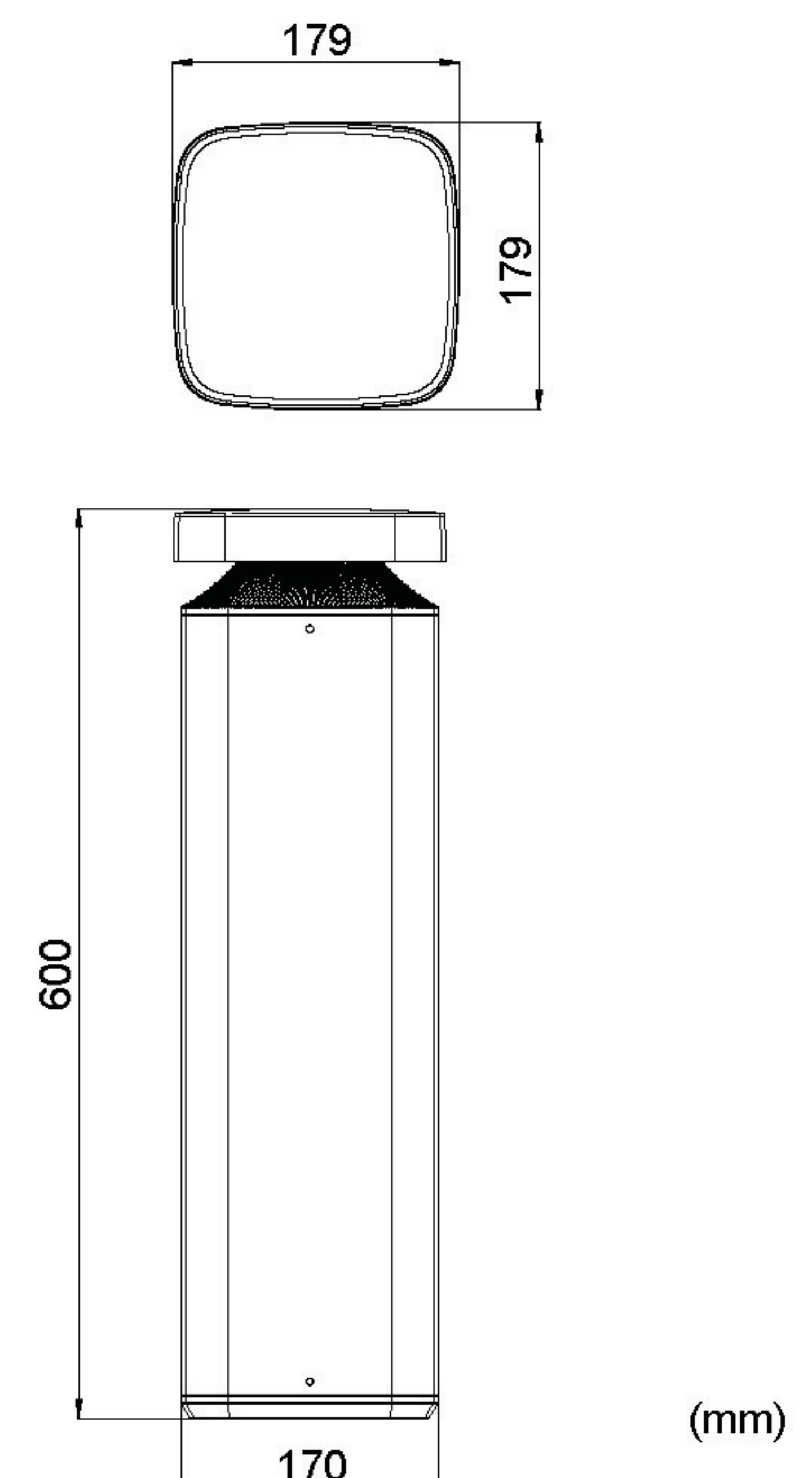
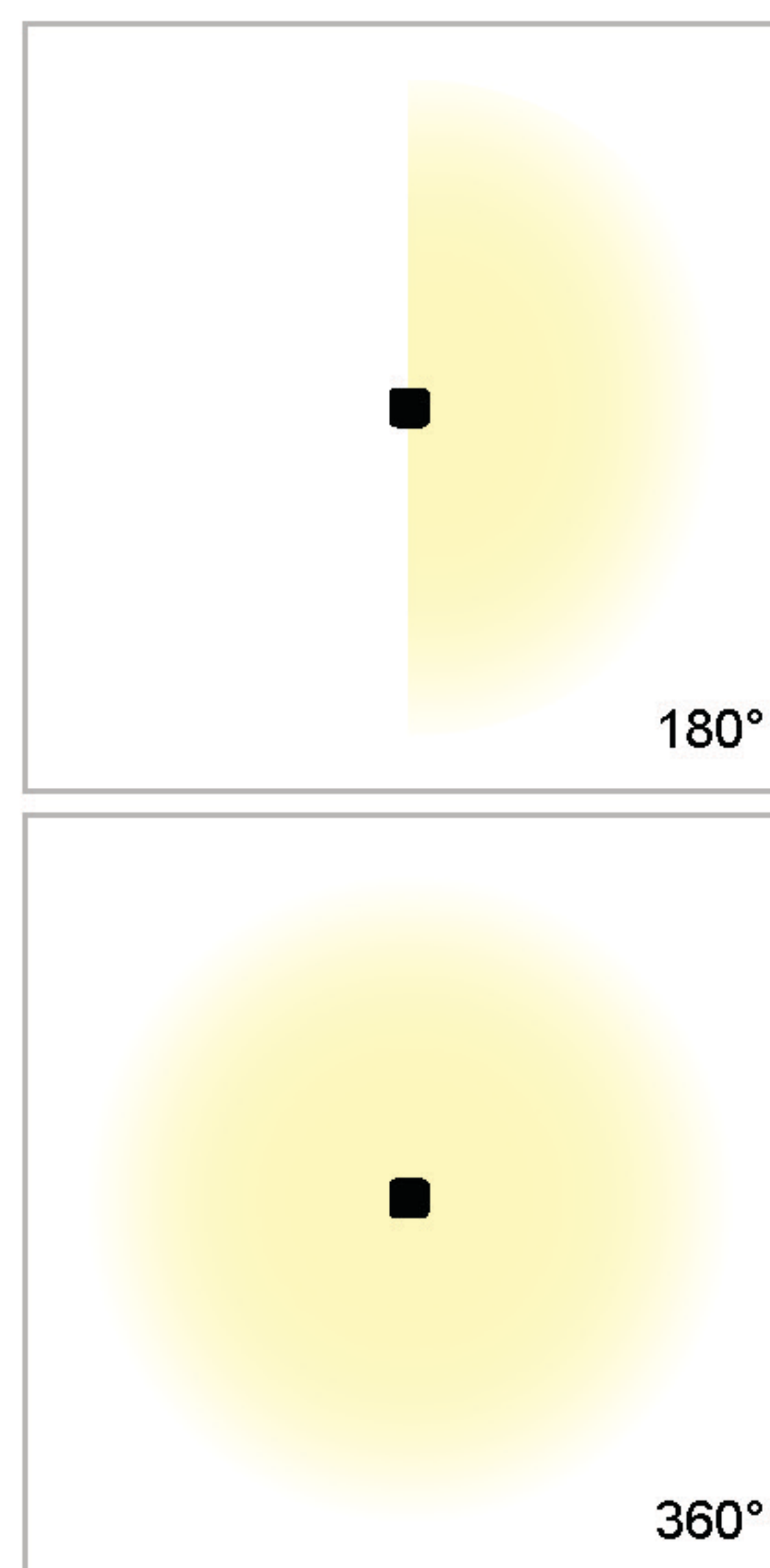
Finish	Black
Material	6063 Aluminium
IP Protection	IP65
IK Protection	IK10
Light Distribution	180° / 360°
Lifetime (Ta 40°C)	L80/50,000h
Warranty	5 years

LED

Lumen	988lm
Efficacy	41lm/W
CRI	>90
CCT	3000K
SDCM	<3

ELECTRICAL

Voltage	220-240V
Power	24W
Driver(Build-in)	Non-dim / DALI



PURATI PTY LTD

Unit 10, 80 O'Riordan St, Alexandria NSW 2015
Tel: +61 2 8065 8181
sales@purati.com

DESCRIPTION

Defender 1000

Robust and reliable in demanding circumstances
Extremely durable, high visual comfort, outstanding performance. Offering an ideal blend of beauty and safety for pathway lighting urban and residential spaces.

This robust bollard light designed in a form intermediate between a square and a round. Its anti-glare design ensures comfortable illumination, provide both safety and high performance to outdoor pathways and walkways. Available in two finishes, three sizes and with 180° or 360° light distribution options.



QUICKINFO

GENERAL

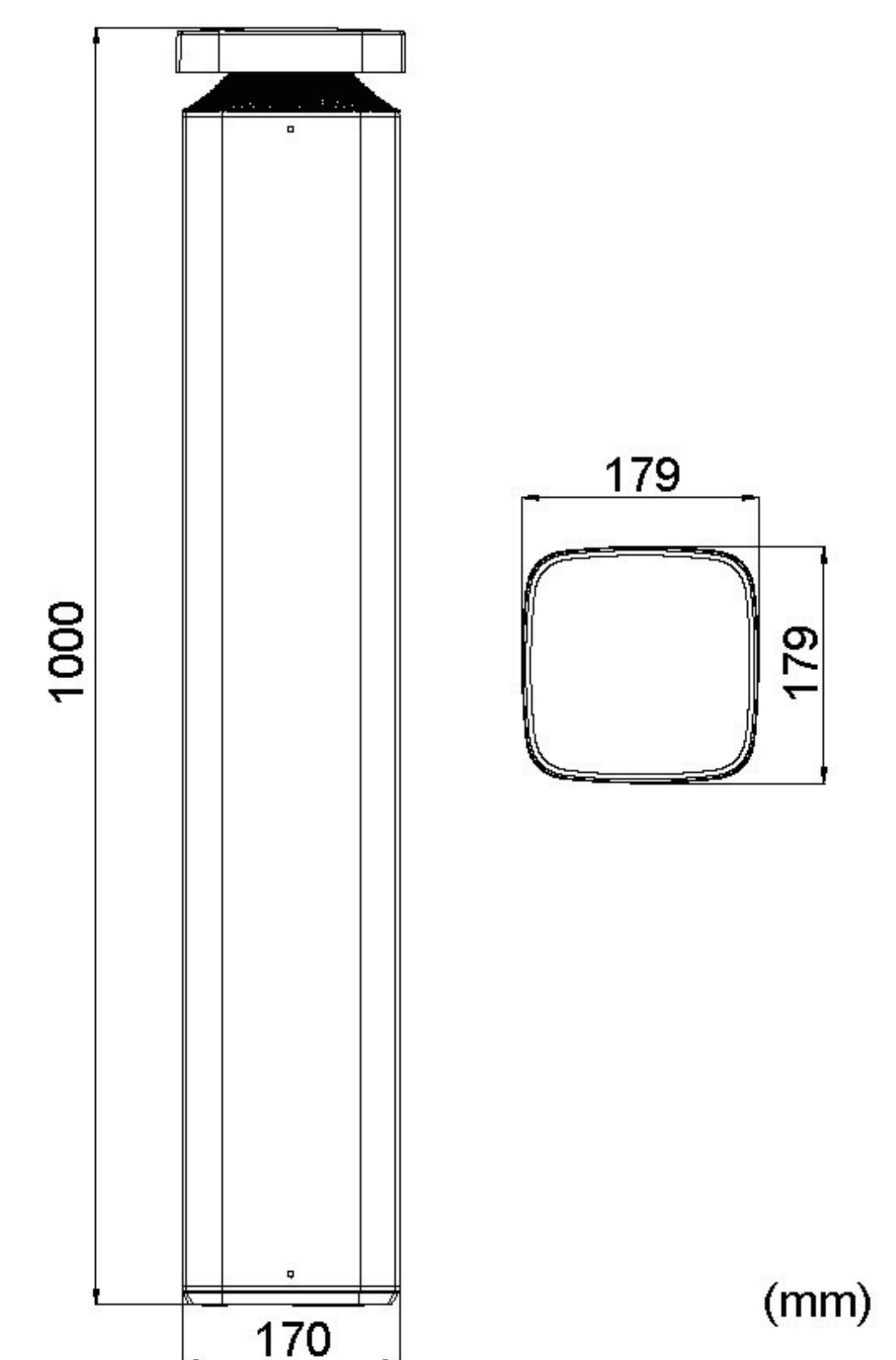
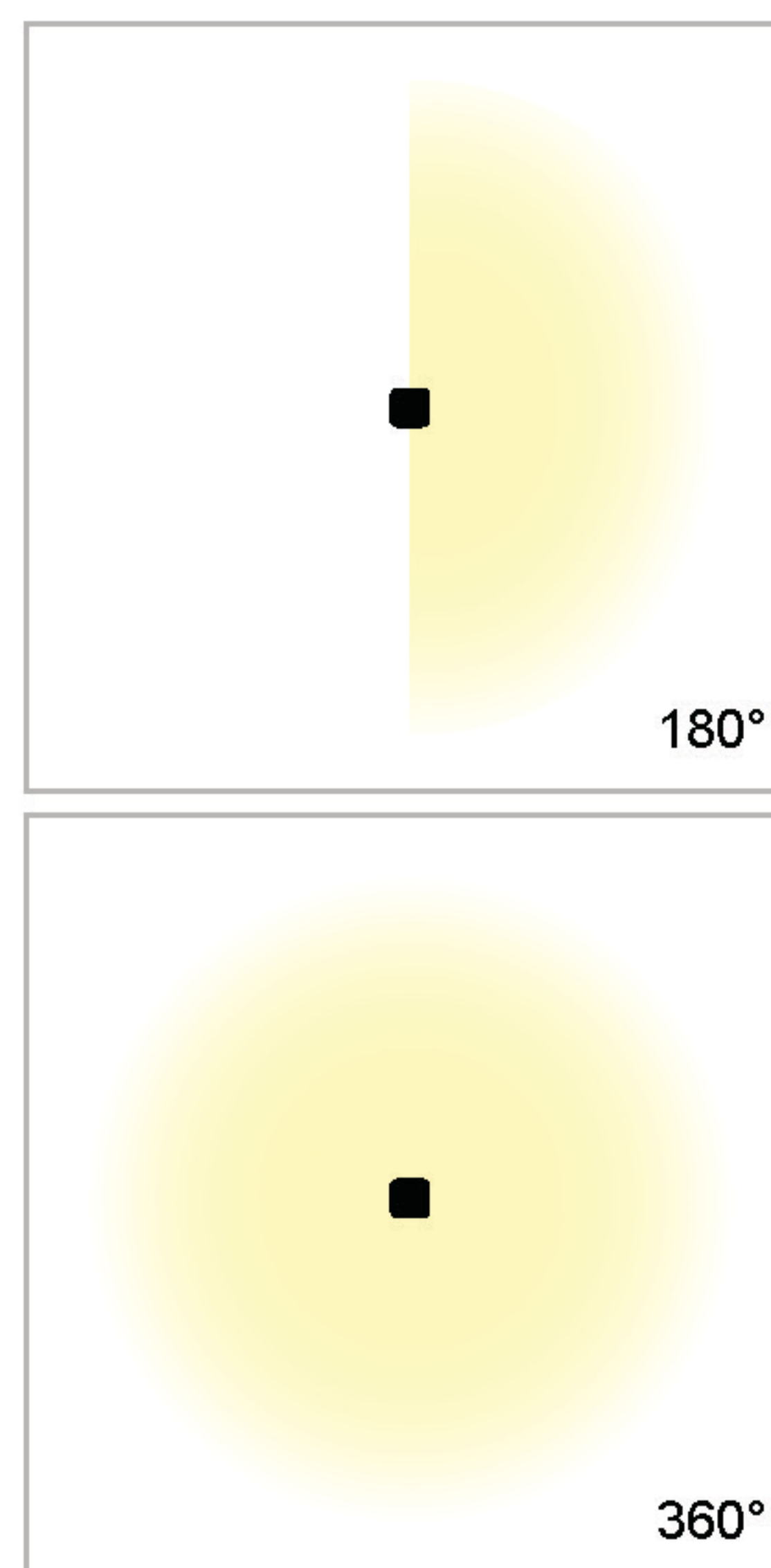
Finish	Black
Material	6063 Aluminium
IP Protection	IP65
IK Protection	IK10
Light Distribution	180° / 360°
Lifetime (Ta 40°C)	L80/50,000h
Warranty	5 years

LED

Lumen	988lm
Efficacy	41lm/W
CRI	>90
CCT	3000K
SDCM	<3

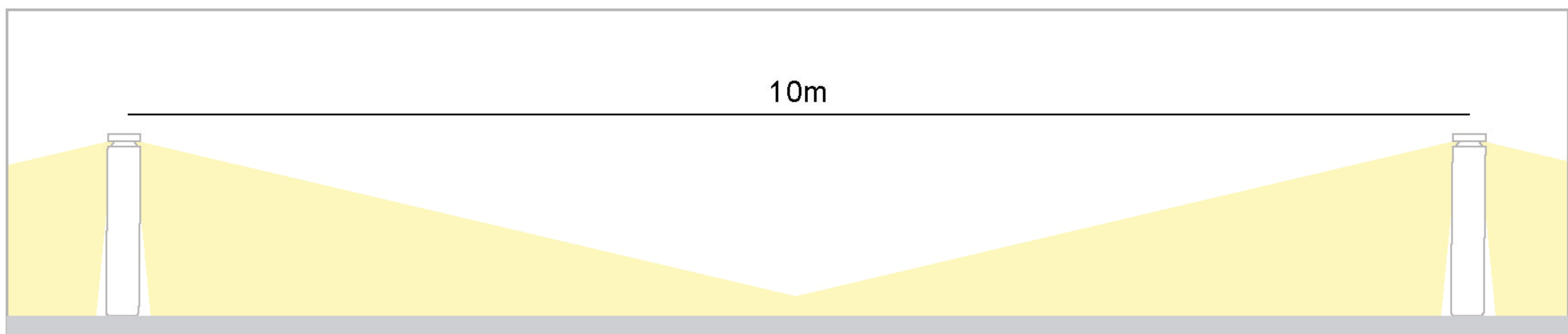
ELECTRICAL

Voltage	220-240V
Power	24W
Driver(Build-in)	Non-dim / DALI

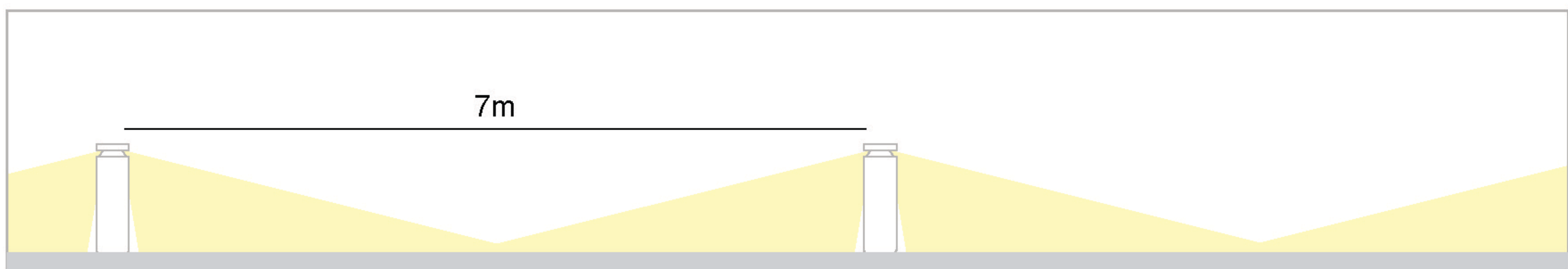


PURATI PTY LTD

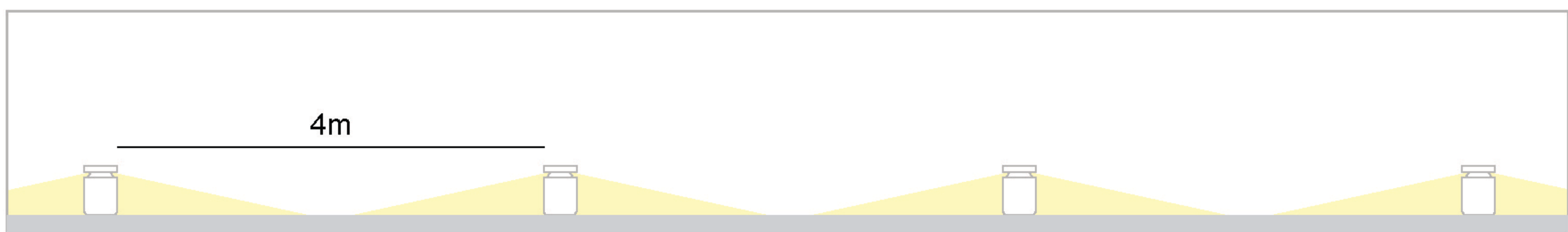
Unit 10, 80 O'Riordan St, Alexandria NSW 2015
Tel: +61 2 8065 8181
sales@purati.com



Defender 1000mm , Light spacing between each luminary is more than 10m



Defender 600mm , Light spacing between each luminary is more than 7m



Defender 250mm , Light spacing between each luminary is more than 4m