



Fuoco Round Trim CNC

Product Coded

FRT-BV10315D
FRT-BV10324D
FRT-BV10336D
FRT-BV10360D

DESCRIPTION

Classic, Durability and Versatility

Along with its minimal design and fine finishing, the Fuoco series offers a wide range of mounting options and maximum visual confort, making it ideal for all application.



QUICKINFO

GENERAL

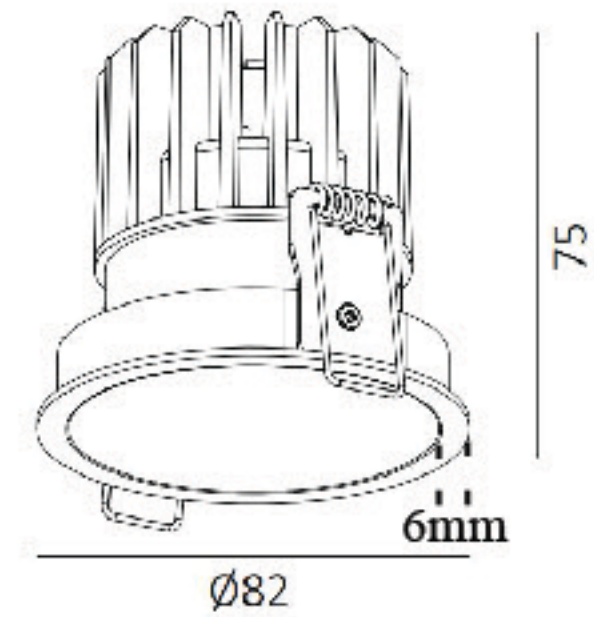
Finish	Brushed Varnish
Material	Die-cast Aluminium
IP Rating	IP54
Lifespan	L90/50,000h
Warranty	5 years

LED

Lumen	917lm
Efficacy	90lm/w
CRI	97
CCT	3000K/4000K/2700K on request
SDCM	<2
UGR	<19
Beam Angles	15°/24°/36°/60° Reflector

ELECTRICAL

Voltage	220-240V
Power	10W
Driver(Build-in)	Phase Cut/DALI



⌀ 75mm

⌀ 5-25mm





Fuoco Round Trim CNC

Product Coded

FRT-LB10315D
FRT-LB10324D
FRT-LB10336D
FRT-LB10360D

DESCRIPTION

Classic, Durability and Versatility

Along with its minimal design and fine finishing, the Fuoco series offers a wide range of mounting options and maximum visual confort, making it ideal for all application.



QUICKINFO

GENERAL

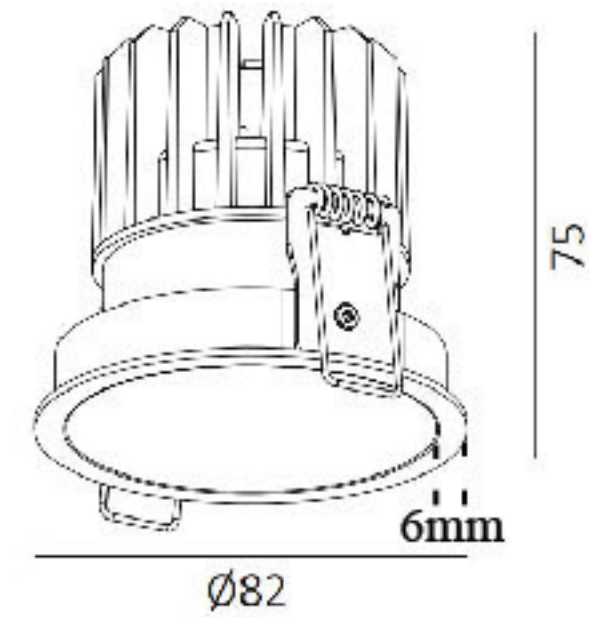
Finish	Light Bronze
Material	Die-cast Aluminium
IP Rating	IP54
Lifespan	L90/50,000h
Warranty	5 years

LED

Lumen	917lm
Efficacy	90lm/w
CRI	97
CCT	3000K/4000K/2700K on request
SDCM	<2
UGR	<19
Beam Angles	15°/24°/36°/60° Reflector

ELECTRICAL

Voltage	220-240V
Power	10W
Driver(Build-in)	Phase Cut/DALI



⌀ 75mm

⌀ 5-25mm



PURATI PTY LTD
Unit 10, 80 O'Riordan St, Alexandria NSW 2015
Tel: +61 2 8065 8181
sales@purati.com

purati.com



Fuoco Round Trim CNC

Product Coded

FRT-DB10315D
FRT-DB10324D
FRT-DB10336D
FRT-DB10360D

DESCRIPTION

Classic, Durability and Versatility

Along with its minimal design and fine finishing, the Fuoco series offers a wide range of mounting options and maximum visual confort, making it ideal for all application.



QUICKINFO

GENERAL

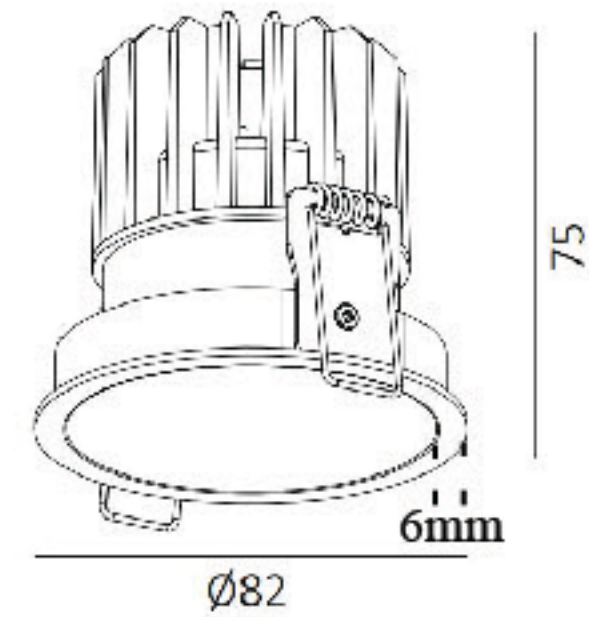
Finish	Dark Bronze
Material	Die-cast Aluminium
IP Rating	IP54
Lifespan	L90/50,000h
Warranty	5 years

LED

Lumen	917lm
Efficacy	90lm/w
CRI	97
CCT	3000K/4000K/2700K on request
SDCM	<2
UGR	<19
Beam Angles	15°/24°/36°/60° Reflector

ELECTRICAL

Voltage	220-240V
Power	10W
Driver(Build-in)	Phase Cut/DALI



⊘ 75mm
↗ 5-25mm



PURATI PTY LTD
Unit 10, 80 O'Riordan St, Alexandria NSW 2015
Tel: +61 2 8065 8181
sales@purati.com

purati.com



Fuoco Round Trim CNC

Product Coded

FRT-G10315D
FRT-G10324D
FRT-G10336D
FRT-G10360D

DESCRIPTION

Classic, Durability and Versatility

Along with its minimal design and fine finishing, the Fuoco series offers a wide range of mounting options and maximum visual confort, making it ideal for all application.



QUICKINFO

GENERAL

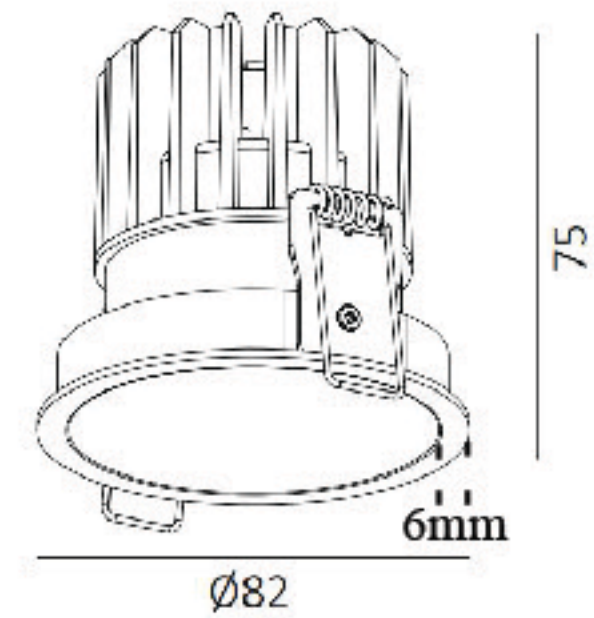
Finish	Brushed Gold
Material	Die-cast Aluminium
IP Rating	IP54
Lifespan	L90/50,000h
Warranty	5 years

LED

Lumen	917lm
Efficacy	90lm/w
CRI	97
CCT	3000K/4000K/2700K on request
SDCM	<2
UGR	<19
Beam Angles	15°/24°/36°/60° Reflector

ELECTRICAL

Voltage	220-240V
Power	10W
Driver(Build-in)	Phase Cut/DALI



75mm

6mm





Fuoco Round Trim CNC

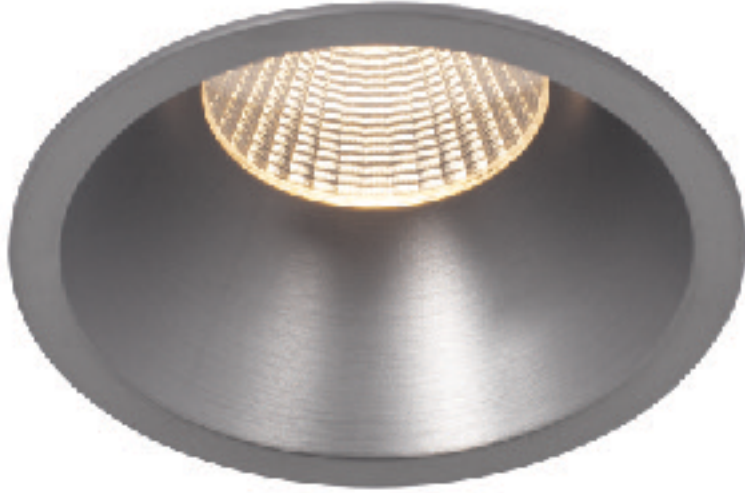
Product Coded

FRT-BGM10315D
FRT-BGM10324D
FRT-BGM10336D
FRT-BGM10360D

DESCRIPTION

Classic, Durability and Versatility

Along with its minimal design and fine finishing, the Fuoco series offers a wide range of mounting options and maximum visual confort, making it ideal for all application.



QUICKINFO

GENERAL

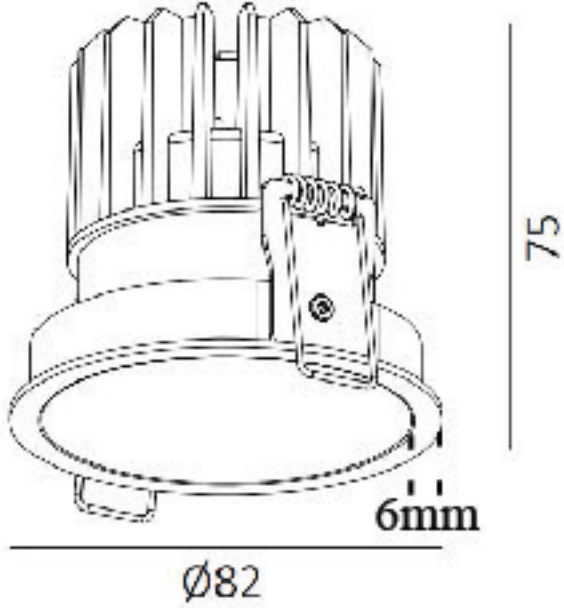
Finish	Black Gun Metal
Material	Die-cast Aluminium
IP Rating	IP54
Lifespan	L90/50,000h
Warranty	5 years

LED

Lumen	917lm
Efficacy	90lm/w
CRI	97
CCT	3000K/4000K/2700K on request
SDCM	<2
UGR	<19
Beam Angles	15°/24°/36°/60° Reflector

ELECTRICAL

Voltage	220-240V
Power	10W
Driver(Build-in)	Phase Cut/DALI



- 75mm
- 6mm
- 82mm

CRI 97	SDCM<2	IP54	IK08	5 YEARS	
--------	--------	------	------	---------	--

PURATI PTY LTD
 Unit 10, 80 O'Riordan St, Alexandria NSW 2015
 Tel: +61 2 8065 8181
 sales@purati.com

purati.com