

1. This product contains a light source of energy efficiency class < D >
2. Light Model: Compo 450

Model	Voltage	Current	PF	Wattage	Luminous Flux	W/Φ (mm)	H1/H2 (mm)	ta(°C)
Compo 450 30W/22W Switch	220-240V~	0.140A/0.105A/0.80A	0.95	30W/22W	2400lm/1800lm	450	64/79	40

Suitable Version: With Or Without Color Temperature Selectable Function.  
 Color Temperature: Warm White:2700k-3200k Neutral White:3800k-4200k Cool White:6000k-6600k;



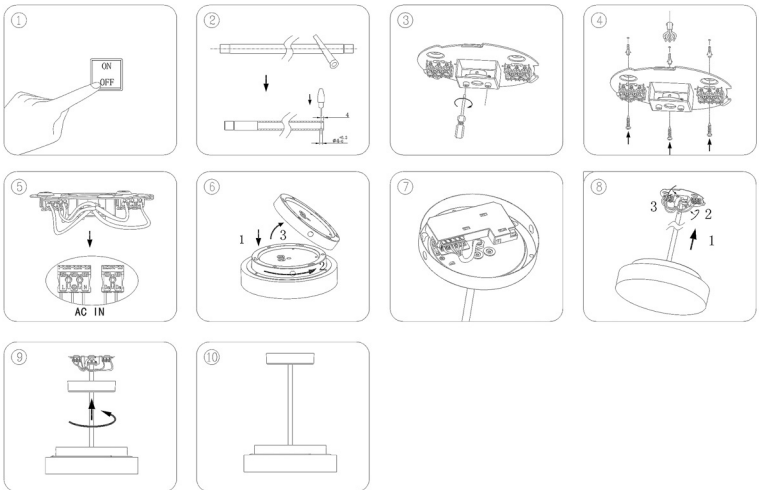
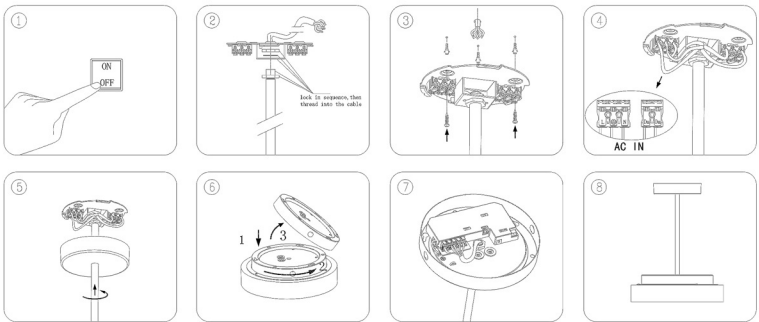
RoHS

CE

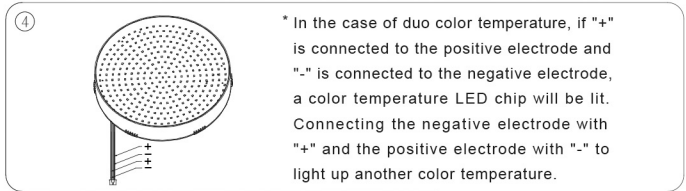
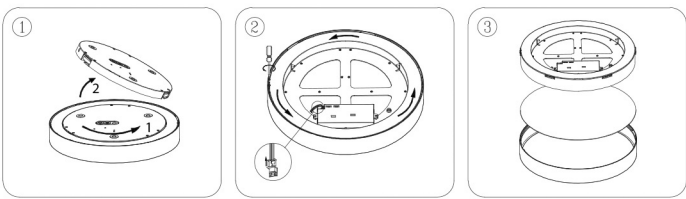
IP20



## Installation instruction



## Light source disassembly instruction



- Always follow this instruction to ensure correct and safe installation and functioning of the luminaire and keep it for future reference.
- Always isolate the power before commencing installation.
- If in doubt, consult a qualified electrician. Ensure that you always install the luminaire to the relevant regulations.
- The light source contained in this luminaire shall only be replaced by the manufacturer or his service agent or a similar qualified person.

## Correct Disposal of this product



This marking indicates that this product should not be disposed with other household wastes throughout the EU. To prevent possible harm to the environment or human health from uncontrolled waste disposal, recycle it responsibly to promote the sustainable reuse of material resources. To return your used device, please use the return and collection systems or contact the retailer where the product was purchased. They can take this product for environmental safe recycling.