

# Installation Instruction

## Model codes



MARKER R



MARKER RQ



MARKER S



MARKER SQ



MARKER R Sensor



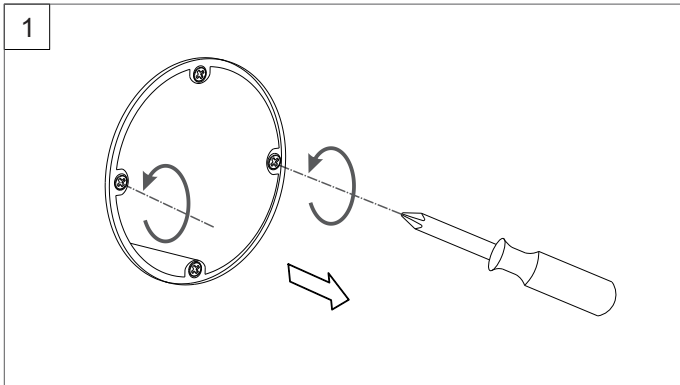
MARKER RQ Sensor



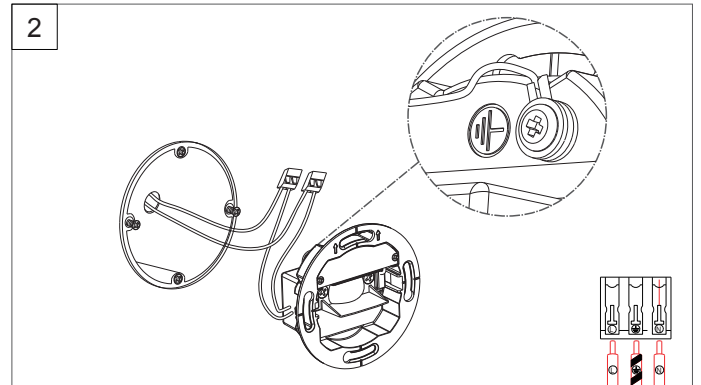
MARKER S Sensor



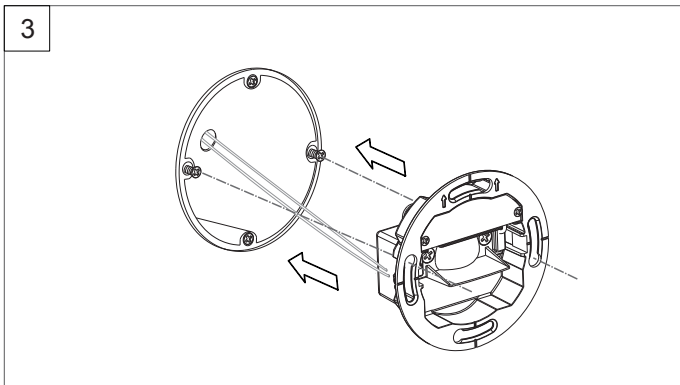
MARKER SQ Sensor



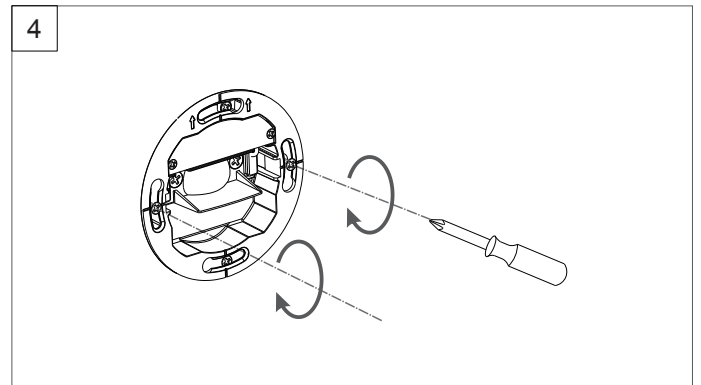
1 Loosen the screws in the anchor half out.



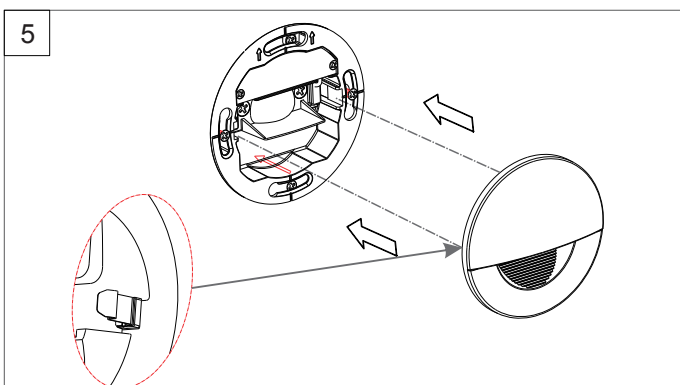
2 Connect the cable (make sure the power is off , AC200-240V).



3 Insert the screws through the mounting holes.



4 Align the light fixture in place and lock the screws.



5 Fasten the light cover

