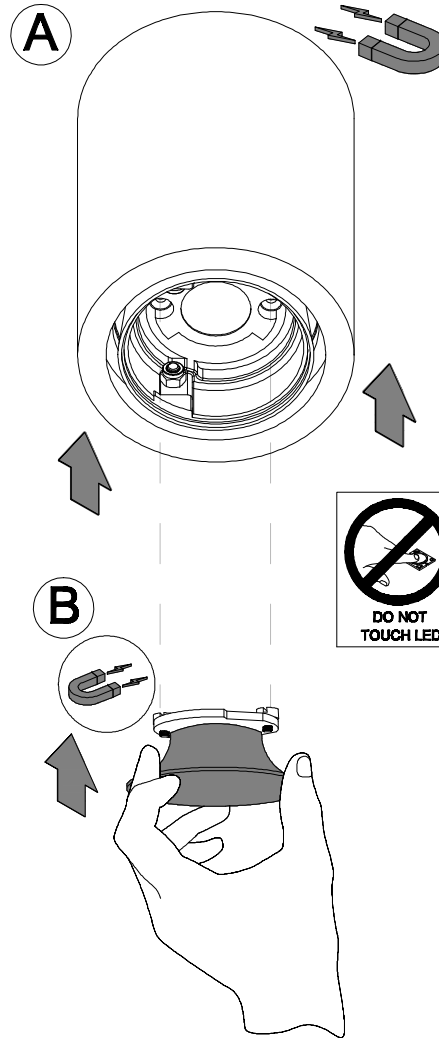
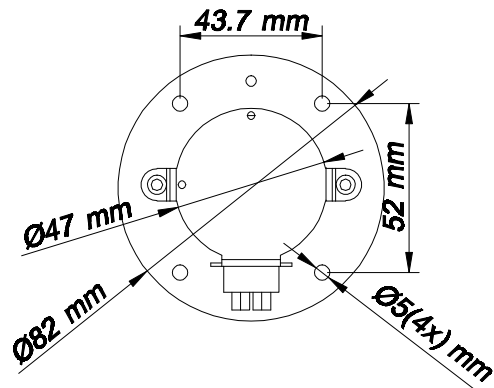
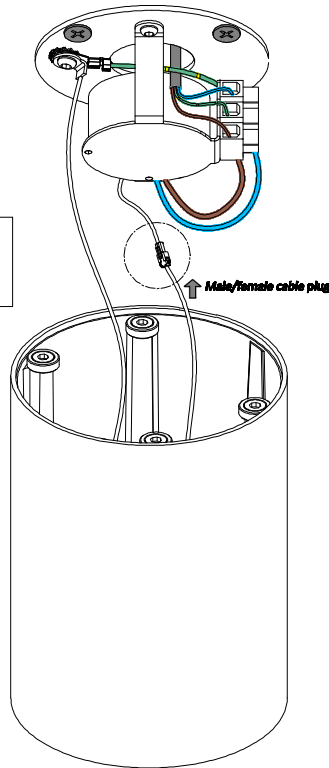
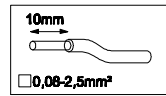
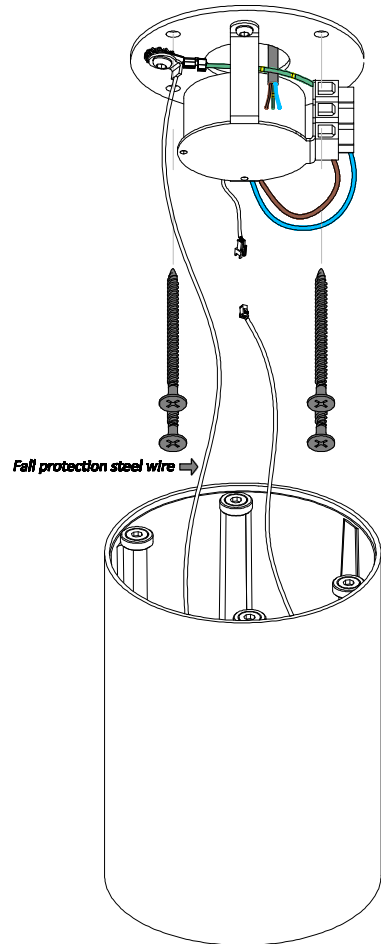



PURATI

INSTALLATION GUIDELINES
POINT R Adjustable S



 The light source contained in this luminaire shall only be replaced by the manufacturer or his service agent or a similar qualified person

NOTES:
A special tool to help you to change the reflectors you want. Reflectors are available in HGS, HGB, FS, WH, BK and GD. Reflectors and tools shall be ordered separately.